

Service Parts Manual

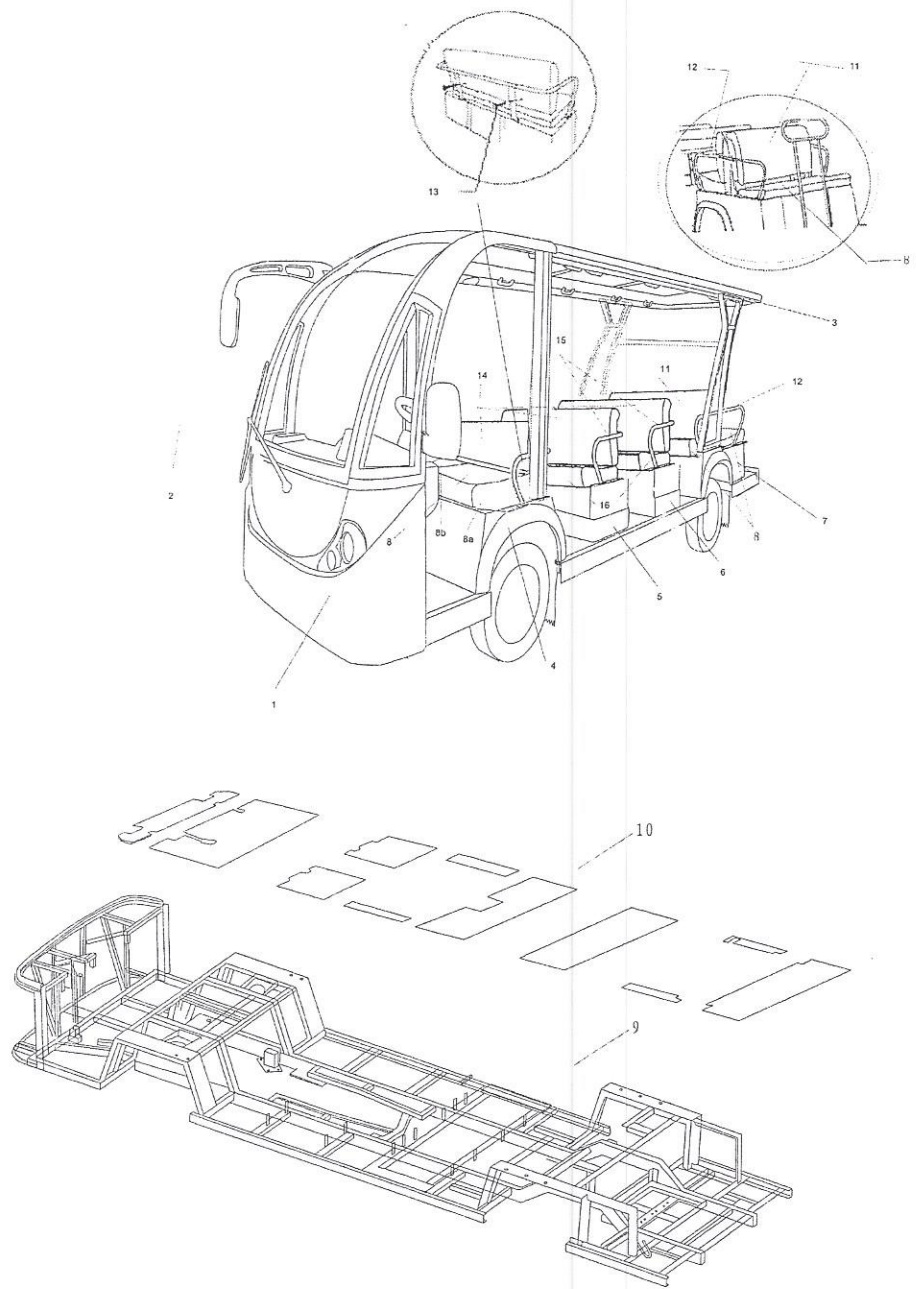


Index

1-1 Body, Frame Assembly (车身、车架总成)	4
1-2 Strut, Roof Handle (前、后立柱、顶棚拉手)	6
1-3 Mudguard, side guard plate (挡泥板、侧护板)	9
1-4 Windscreen (挡风玻璃)	11
1-5 Front Cover (前围)	12
1-6 Dashboard, Control handle (仪表台及操作杠).....	13
1-7 Roof (顶棚)	16
1-8 Seat and Bracket (座椅及支架)	17
1-9 Seat Base and its accessory (座椅桶及附件)	20
1-10 Rear Parts (车身后部).....	22
1-11 Side Rear View Mirror (侧后视镜)	23
2-1 Motor Assembly (直流牵引电机总成)	25
2-2 Power train System (驱动系统)	29
3-1 Clutch and Control (离合器及其操纵)	30
3-2 Clutch Tight Wire (离合器钢索)	32
3-3 Gear Shifting Control (变速器换档操纵装置)	33
3-4 Gear Box (变速箱传动部分)	35
3-5 Transmission House (变速器壳体)	38
3-6 Transmission Control (变速操纵)	40
3-7 Propeller Shaft Assembly (传动轴)	42
4-1 Pitman arm, Drag link, Tie rod (转向摇臂、直拉杆、横拉杆)	43
4-2 Steering Shaft Assembly (转向轴总成)	45
4-3 Steering Gear Assembly (转向器总成)	47
4-4 Steering Wheel Assembly (方向盘总成)	49
5-1 Accelerate, Clutch, Brake Pedal & Bracket (加速、离合器、制动踏板及支架总成)	50
5-2 Reservoir Assembly and Brake Pipe (制动总泵及制动管路)	51
5-3 Front Drum Brake Assembly (前轮鼓式制动器)	53
5-4 Rear Brake Assembly (后轮制动器总成)	55
5-5 Parking Brake Handle (驻车制动操纵)	57

6-1 Front Suspension (前减震器)	58
6-2 Front Suspension Frame (前悬架导向机构)	60
6-3 Rear Suspension (后悬架总成)	63
7-1 Half Shaft, Rear Axle House (半轴、桥壳)	65
7-2 Differential Assembly (差速器总成)	67
8-1 Wheel&Tyre (车轮)	69
Steel Wheel&Tyre (钢圈及轮胎)	69
Aluminum Wheel & Tyre (铝圈车轮)	70
9-1 Front Turn Signal, Headlight, Front Fog light (前转向灯、大灯、雾灯)	71
9-2 Taillight (后组合灯)	72
9-3 Harness (电线束)	74
9-4 Battery and Battery Cable (12x6V 电池及连接线)	76
12x6V Battery set-up(12x6V 电池配置).....	76
16x6V battery set-up (16x6V 电池配置).....	78
9-5 Windshield Wiper Assembly (雨刮总成)	80
9-6 Meter, Start key (组合仪表、启动开关)	81
9-7 Radio, Combination Switch, Loud speaker, Backup Buzzer (收音机、组合开关、喇叭、倒车蜂鸣器) ..	83
9-8 Electronic Controller Assembly (电控总成)	85
1209 Controller (1209 电控)	85
1205 Controller (1205 电控)	87
1244 Controller (1244 电控)	89
9-9 Charger (充电机)	91
9-10 DC converter (DC 转换器)	93

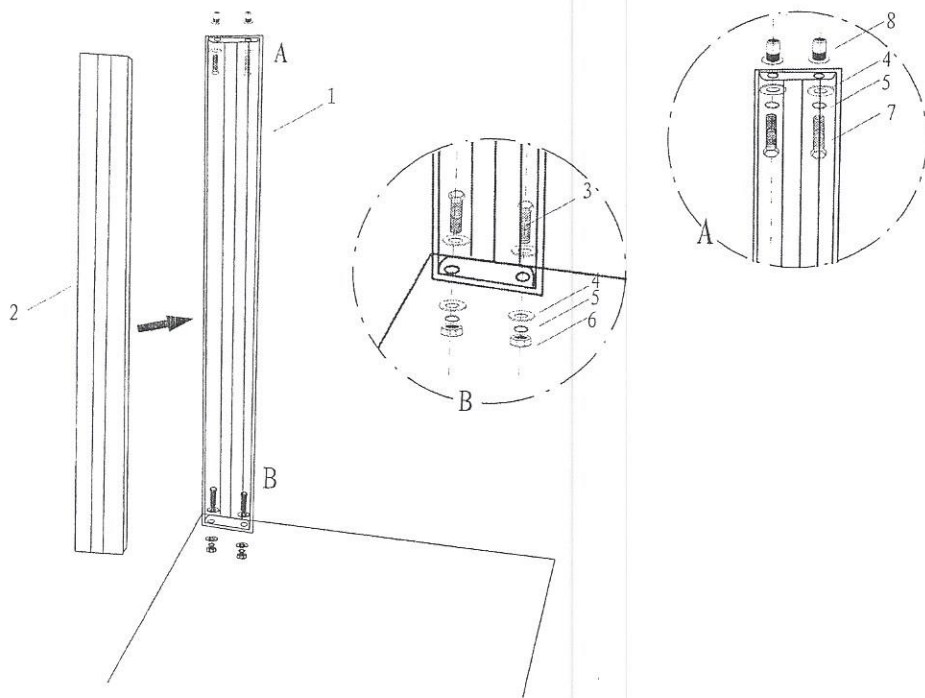
1-1 Body, Frame Assembly (车身、车架总成)

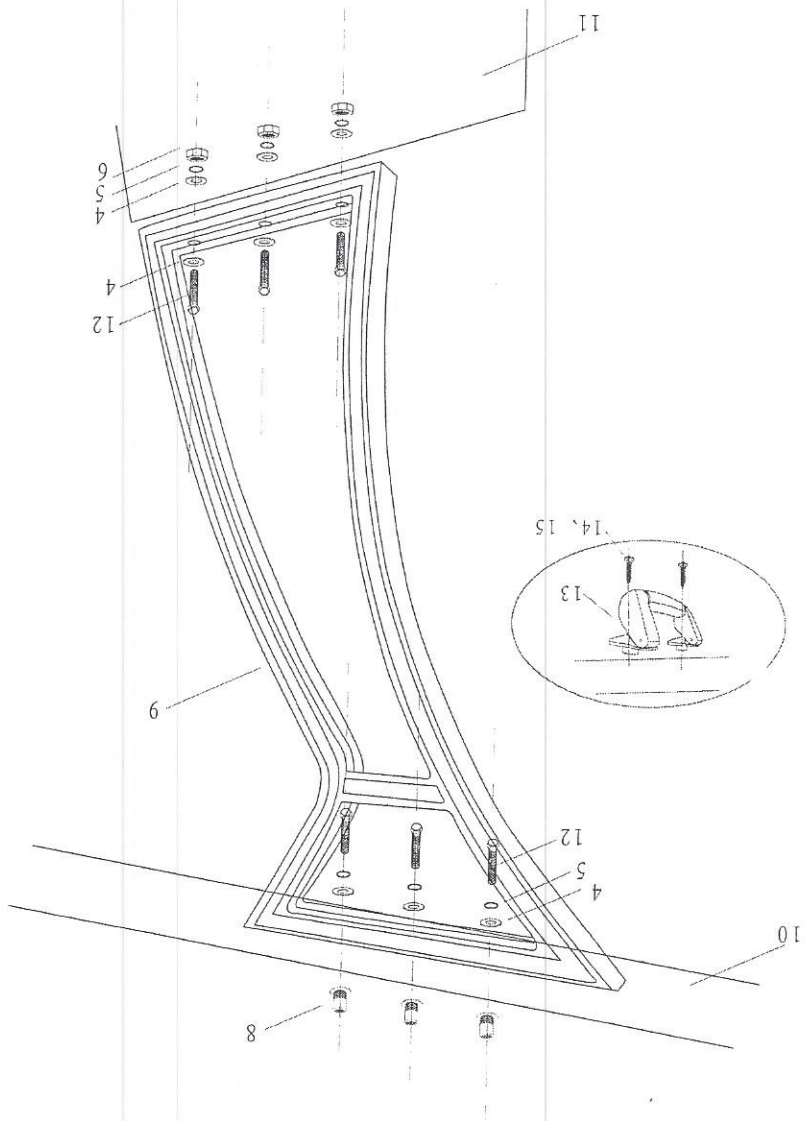


1-1 Body, Frame Assembly (车身、车架总成)

Item No	Part No	Description	中文名称	Qty	Remark
1	5302110-014	Front body	前围外护面总成	1	
2	5303010-005	Front windscreen	前风窗	1	
3	5702100-018	Roof	顶棚总成	1	FRP
4	6158-5102011	Front seat base	前底座	1	Plastic
5	5102041-001	Second seat base	第二排座椅底座	1	Plastic
6	5102042-001	Third seat base	第三排座椅底座	1	Plastic
7	5103110-014	Rear seat base	后底座	1	Plastic
8	7101200-016	front seat cushion	前排坐垫	1	automatic drive (same as 4th, 5th row)
8a	7101200-017	driver seat cushion	驾驶员坐垫	1	manual drive
8b	7110100-014	copilot seat cushion	副驾驶坐垫	1	1 row
9	5101000-017	Frame assembly	骨架(车架)总成	1	
10	5106000-024	Bamboo floor unit	地板总成	1	
11	7149100-020	Rear row back seat	后排靠背垫	1	After July.2015
	7101100-016	Rear row back seat(4,5 row)	后排靠背垫 (4, 5 排)	2	Before July.2015
12	7155100-024	Rear row seat bracket with arm rest	后排靠背支架带扶手	1	EG6088K EG6118KB
	7155100-026			2	EG6118KA EG6158K
13	7109100-019	front row seat bracket with arm rest	前排靠背支架带扶手	1	
14	7101100-016	back seat cushion	靠背垫	3	1 st ,2 nd ,3 rd row
15	7155100-022	middle row seat bracket with arm rest	中排靠背支架带扶手	2	
16	7149200-022	Seat cushion	坐垫	4	2th,3th row

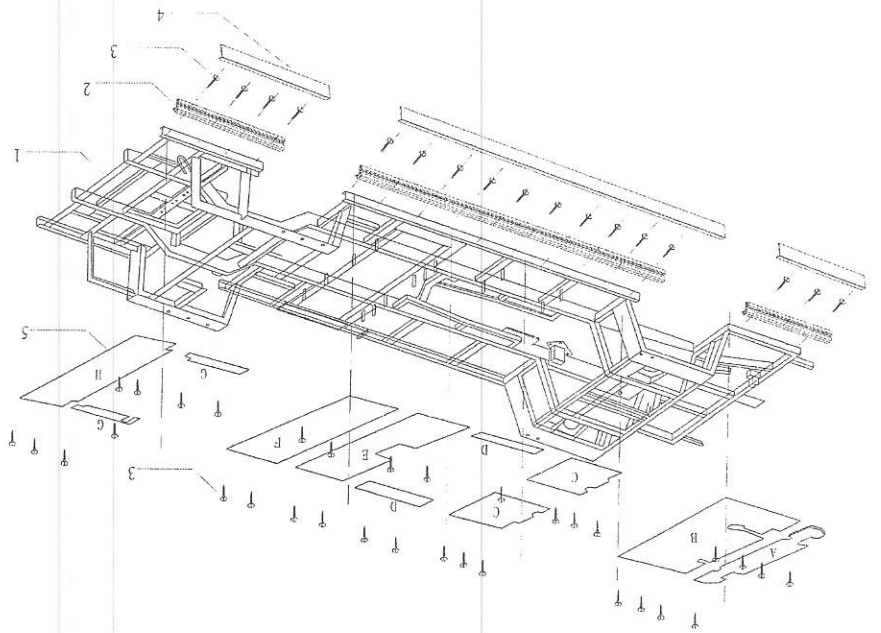
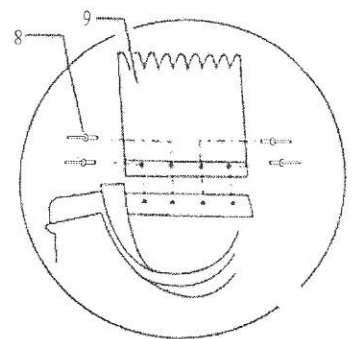
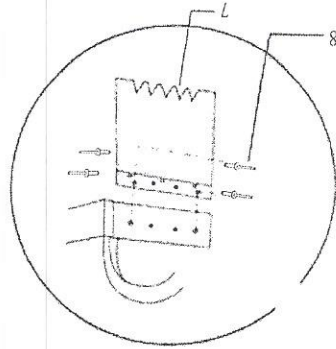
1-2 Strut, Roof Handle (前、后立柱、顶棚拉手)





1-2 Strut, Roof Handle (前、后立柱、顶棚拉手)

Item No	Part No	Description	中文名称	Qty	Remark
	5701210-014	Front strut assembly(include item 1-2)	顶棚前立柱总成(包含 1, 2)	2	
1	5701211-014	Front strut out board	顶棚前立柱外板	2	Aluminum
2	5701212-014	Front strut inner board	顶棚前立柱内板	2	Aluminum
3	Q150B1045	Hexad head bolt M8X30	六角头螺栓 M8x30	4	
4	Q40208	Big washer M8	大垫圈 M8	26	
5	Q40308	Spring gasket M8	弹簧垫圈 M8	20	
6	Q340B08	Hexad head nut	1型六角螺母	10	
7	Q150B0830	Hexad head bolt M8X30	六角头螺栓 M8x30	4	
8	Q37208	Flat head nut M8	平头螺母 M8	10	
9	5701220-014	Rear strut	顶棚后立柱	2	Aluminum
10	5701110-018	Roof frame	顶棚包层柱总成	1	Aluminum
11	5103110-014	Rear seat base	后底座	1	
12	Q150B0860	Hexad head bolt M8X60	六角头螺栓 M8x60	12	
13	5708010-014	Roof handle	顶棚拉手	8	
14	Q2710630	Cross groove tray head self-tapping screw M6x30	十字槽盘头自攻螺钉 -C型 M6x30	16	
15	Q40106	Flat washer	平垫圈	16	

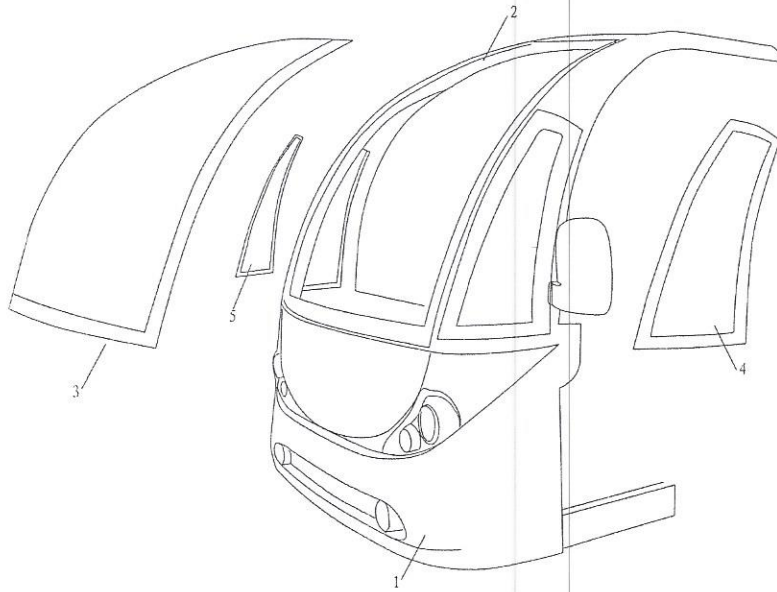


1-3 Mudguard, side guard plate (挡泥板、侧护板)

1-3 Mudguard, side guard plate (挡泥板、侧护板)

Item No	Part No	Description	中文名称	Qty	Remark
1	5101000-017	Frame assembly	骨架 (车架) 总成	1	
2	5109011-014	Press bar, front	内边角压条前	2	Aluminum
	5109012-018	Press bar, middle	内边角压条中	2	Aluminum
	5109013-016	Press bar, rear	内边角压条后	2	Aluminum
3	Q2730425	Cross groove half round head self-tapping screw M4x25	十字槽大圆头自攻螺 钉 M4x25	Depends	
	5502011-014	Side guard plate, front	侧护板 (前)	2	
4	5502012-018	Side guard plate, middle	侧护板 (中)	2	
	5502013-016	Side guard plate, rear	侧护板 (后)	2	
	5106010-001	Floor mat	地板革总成	1	
6	9005001-014-A0	Left mudguard	左挡泥板	2	Rubber
7	9005002-014-A0	Right mudguard	右挡泥板	2	Rubber
8	Q4400615	Split flat round head blind rivet M6x15,08	开口型扁圆头抽芯铆钉 M6x15,08	16	

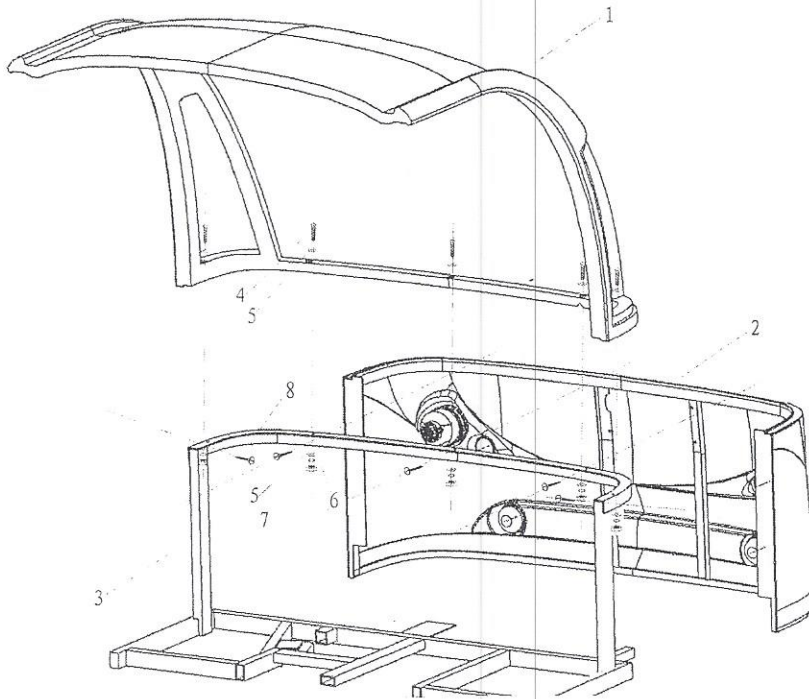
1-4 Windscreen (挡风玻璃)



1-4 Windscreen (挡风玻璃)

Item No	Part No	Description	中文名称	Qty	Remark
1	5202000-001	Front body(plastic)	前围外护面总成(塑料)	1	
2	5303000-014	Windscreen frame	前挡风模块总成	1	
3	5303010-005	Front windscreen	挡风玻璃	1	
4	5303020-005	Left windscreen	左侧风窗	1	
5	5303030-005	Right windscreen	右侧风窗	1	

1-5 Front Cover (前围)

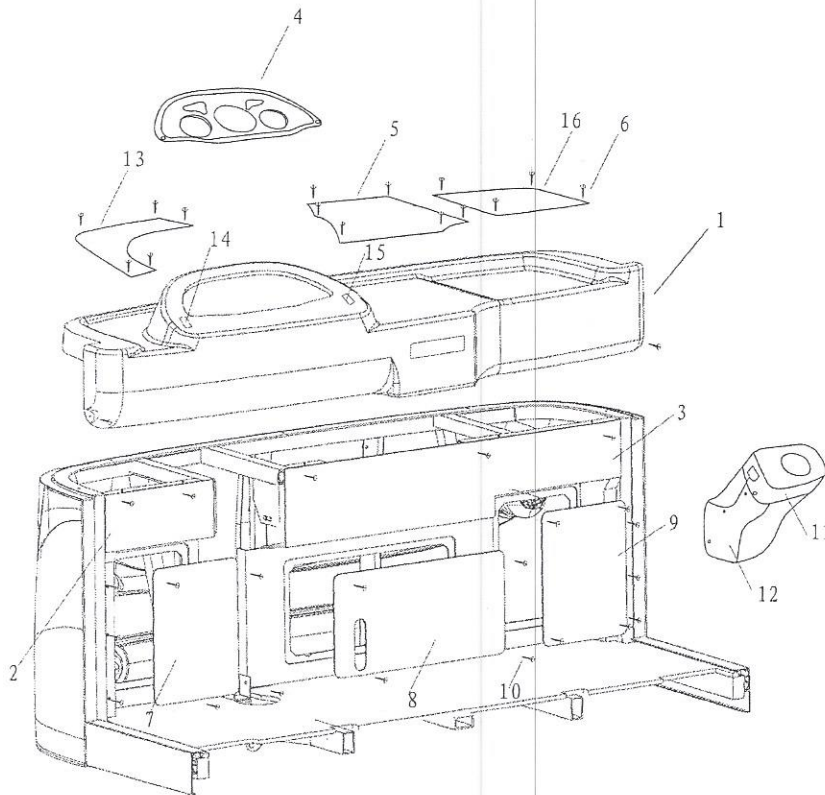


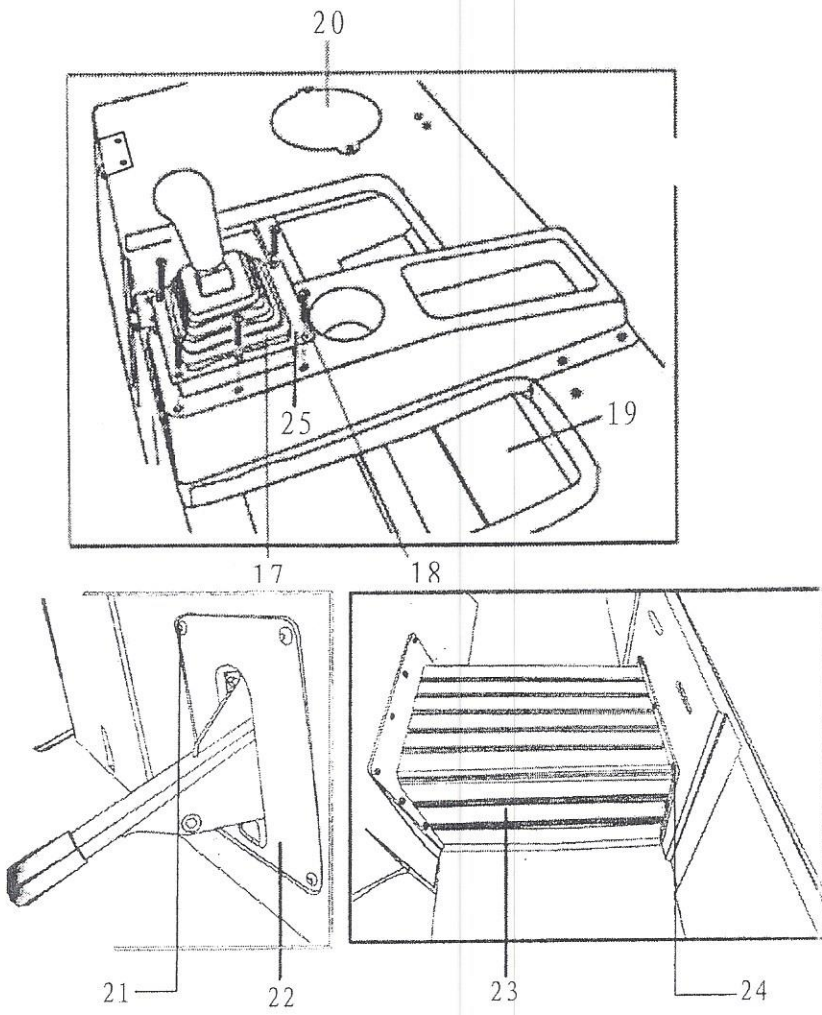
1-5 Front Cover (前围)

Item No	Part No	Description	中文名称	Qty	Remark
1	5303000-014	Windscreen frame	前挡风模块总成	1	
2	5302110-014	Front body(plastic)	前围外护面总成(塑料)	1	
3	5101000-017	Frame assembly	骨架总成	1	
4	Q150B0855	Hexad bolt M8x55	六角头螺栓 M8×55	5	
5	Q40108	Flat washer M8	平垫圈 M8	10	

6	Q40308	Spring gasket M8	弹簧垫圈 M8	5	
7	Q32008	Hexad flange Nut M8	六角法兰面螺母 M8	5	
8	Q2710630	Cross groove tray head self-tapping screw M6x30	十字槽盘头自攻螺钉-C型 M6x30	5	

1-6 Dashboard, Control handle (仪表台及操作杠)

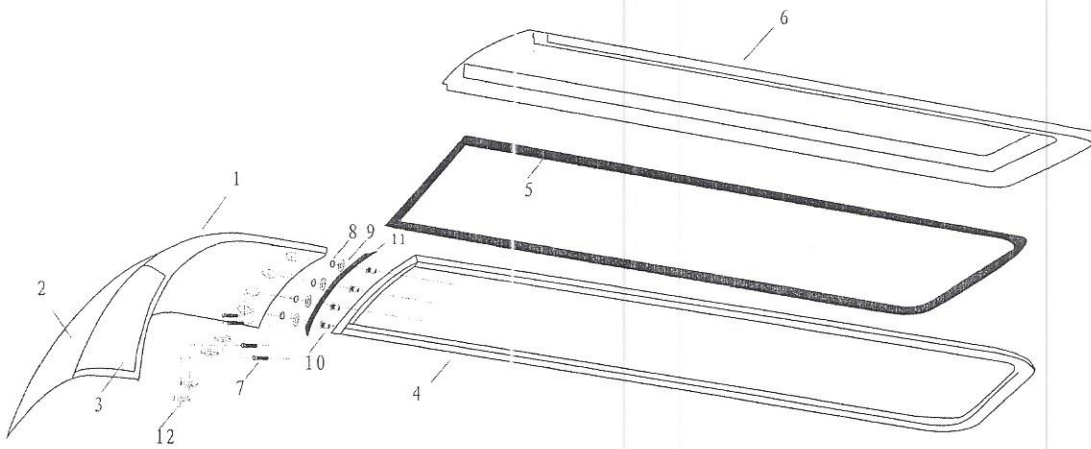




1-6 Dashboard, Control handle (仪表台及操作杠)

Item No	Part No	Description	中文名称	Qty	Remark
1	5305110-004	Upper dashboard	上仪表台总成	1	
2	5305211-004	Lower dashboard, LH	下仪表台左总成	1	
3	5305221-004	Lower dashboard, RH	下仪表台右总成	1	
4	6113-3004000	Meter	仪表	1	
5	5205213-001	Access 2	检修盖 2	1	Plastic
6	Q2730430	Cross groove half round head self-tapping screw M4x30	十字槽大半圆头自攻螺钉 M4×30	7	
7	5205012-001	Left headlight access	大灯检修盖 1	1	FRP
8	5205122-001	Accelerator access	加速器检修盖	1	FRP
9	5205012-001	Right headlight access	大灯检修盖 2	1	FRP
10	Q2730416	Cross groove half round head self-tapping screw M4x16	十字槽大半圆头自攻螺钉 M4×16	14	
11	5305141-004	Combination switch cover	组合开关罩	1	
12	5305140-004	Steering wheel cover	方向机支架外套	1	
13	5205212-001	Access 1	检修盖 1	1	Plastic
14	3032010-002	Hazard warning light switch	危险警报开关	1	
15	3032010-013	Fog light switch	雾灯开关	1	
16	5205214-001	Access 3	检修盖 3	1	Plastic
17	2103022-002	Dustproof cover for gear shifting lever	排挡手柄防尘罩	1	
18	Q150B0630	Hexad head bolt M6x30	六角头螺栓 M6×30	6	
19	6152-5102051	Waterproof cover for motor	电机防水罩	1	FRP
20	6082-5102012	Front shock absorber access	前减震器检修盖	2	FRP
21	Q2730416	Cross groove half round head self-tapping screw M4x16	十字槽大半圆头自攻螺钉 M4×16	4	
22	6082-5102013	Parking brake handle access	手刹手柄检修盖	1	FRP
23	5103051-014	Motor access	电机检修盖	1	Plastic
24	Q2730416	Cross groove half round head self-tapping screw M4x16	十字槽大半圆头自攻螺钉 M4×16	16	
25	2103021-002	Press plate for gear shifting lever dustproof cover	排挡手柄防尘罩压板	1	FRP

1-7 Roof (顶棚)

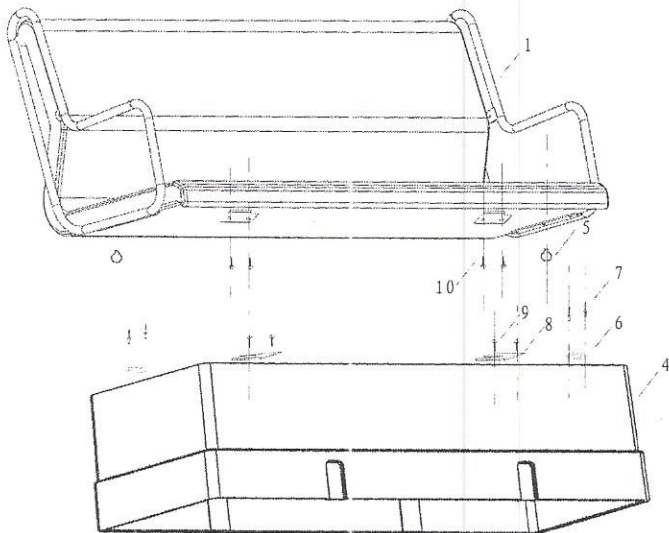
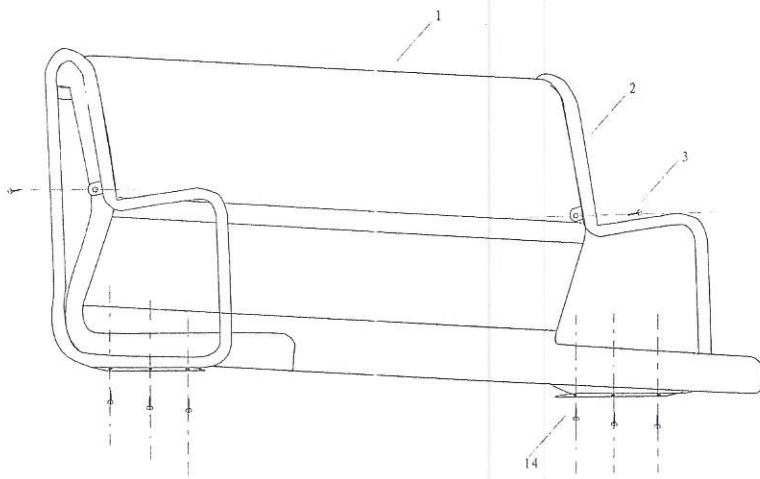


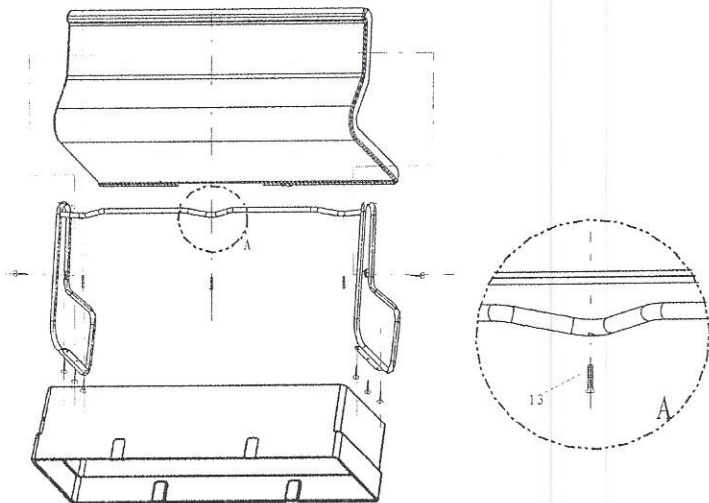
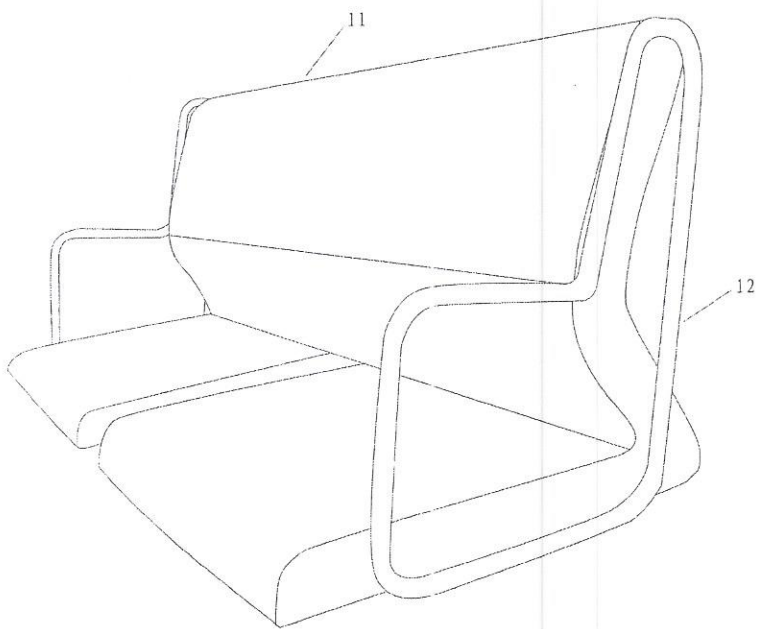
1-7 Roof (顶棚)

Item No	Part No	Description	中文名称	Qty	Remark
1	5303000-014	Windscreen frame	前挡风模块总成	1	
2	5303010-005	Front windscreen	挡风玻璃	1	
3	5303020-005	Left windscreen	左侧风窗	1	
4	5701110-018	Roof frame	顶棚包层柱总成	1	Aluminum
5	5702130-018	Rubber trim	顶棚胶条	1	Rubber
6	5702100-018	Roof	顶棚总成	1	FRP
7	Q150B0845	Hexad head bolt M8x55	六角头螺栓 M8×55	4	
8	Q40308	Spring gasket M8	弹簧垫圈 M8	4	
9	Q40108	Flat washer M8	平垫圈 M8	4	
10	Q37208	Flat head nut M8	平头铆螺母 M8	4	
11	5701121-014	Rubber trim	顶棚包层柱前胶垫	1	Rubber

12	5303311-014	Roof connecting bolt access	靠背检修盖	4	ABS
----	-------------	-----------------------------	-------	---	-----

1-8 Seat and Bracket (座椅及支架)

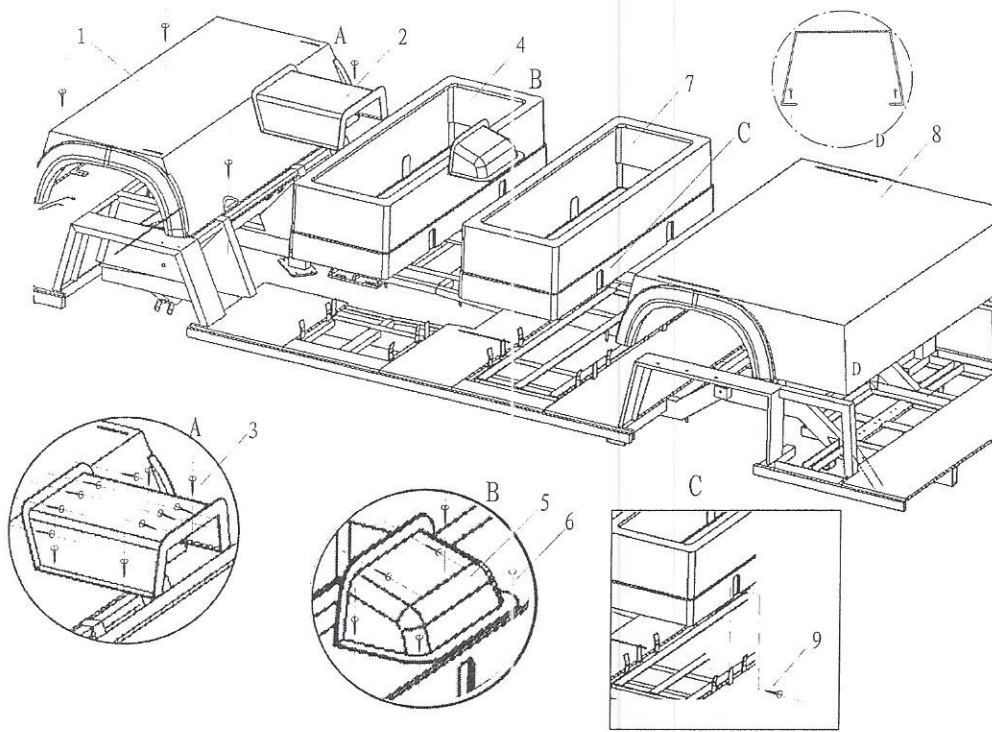




1-8 Seat and Bracket (座椅及支架)

Item No	Part No	Description	中文名称	Qty	Remark
1	7149000-014	Passenger's seat 1	乘客座椅总成 1	2	
	7149000-016	Passenger's seat 2	乘客座椅总成 2	2	
2	7155100-014	Passenger armrest 1	乘客座椅扶手 1	2	
	7155100-015	Passenger armrest 2	乘客座椅扶手 2	1	
3	Q2700625	Hexad flange self-tapping screw M6x25	六角法兰面自攻螺钉 M6×25	8	
4	5102041-001	Second seat base	第二排座椅底座	1	
	5102042-001	Third seat base	第三排座椅底座	1	
	5102043-001	Third seat base extend part	第三排座椅底座后延伸件	1	
	6158-5102011	Front seat base	前底座	1	
5	7107211-002	Ball head	球头	10	
6	7107212-002	Ball socket	球窝	10	
7	Q4400412	Split flat round head blind rivet M4x12.08	开口扁圆头抽芯铆钉 M4×12.08	40	
8	6082-6501310	Seat hinge	座垫铰链	10	
9	Q2630630	Cross groove deep head self-tapping screw M6x30	十字槽沉头自攻锁紧螺钉 M6×30	20	
10	Q2630630	Cross groove deep head self-tapping screw M6x30	十字槽沉头自攻锁紧螺钉 M6×30	20	
11	7101000-014	Driver's seat	驾驶员座椅总成	1	
12	7109100-014	Driver's armrest	驾驶员座椅扶手	1	
13	Q2710630	Cross groove tray head self-tapping screw M6x30	十字槽盘头自攻螺钉 -C型 M6×30	12	
14	Q2740635	Cross groove deep head self-tapping screw M6x35	十字槽沉头自攻螺钉 -C型 M6×35	24	

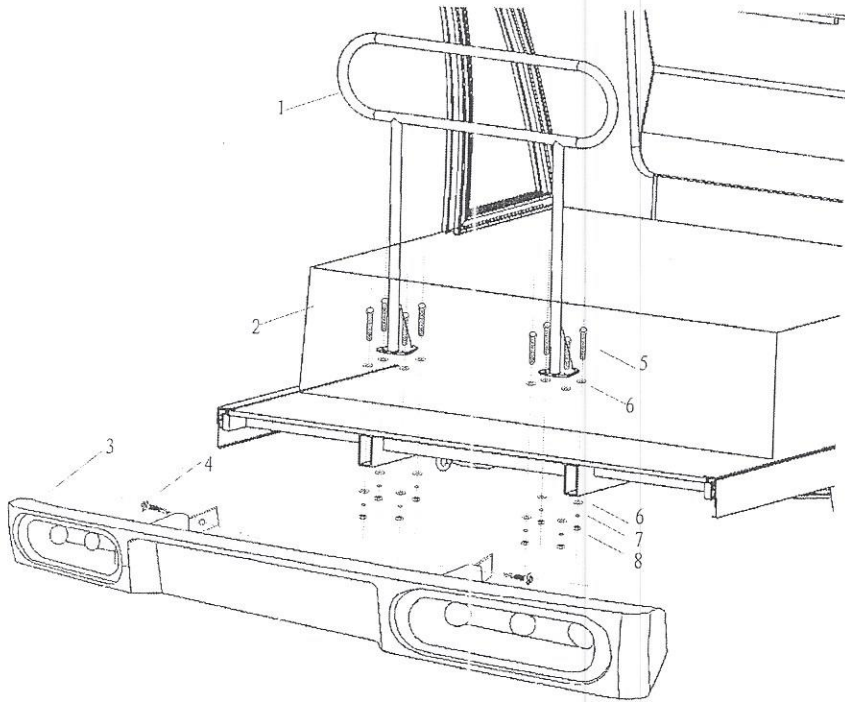
1-9 Seat Base and its accessory (座椅桶及附件)



1-9 Seat Base and its accessory (座椅桶及配件)

Item No	Part No	Description	中文名称	Qty	Remark
1	6158-5102011	Front seat base	前底座	1	
2	5103051-014	Motor access	电机检修盖	1	
3	Q2710425	Cross groove deep head self-tapping screw M4x25	十字槽沉头自攻螺钉-C型 M4×25	18	
4	5102041-001	Second seat base	第二排座椅底座	1	
5	5102043-001	Second seat base extend part	第二排座椅底座后延伸件	1	
6	Q2710425	Cross groove deep head self-tapping screw M4x25	十字槽沉头自攻螺钉-C型 M4×25	6	
7	5102042-001	Third seat base	第三排座椅底座	1	
8	5103110-014	Rear seat base	后底座	1	
9	Q2710425	Cross groove deep head self-tapping screw M4x25	十字槽沉头自攻螺钉-C型 M4×25	4	

1-10 Rear Parts (车身后部)



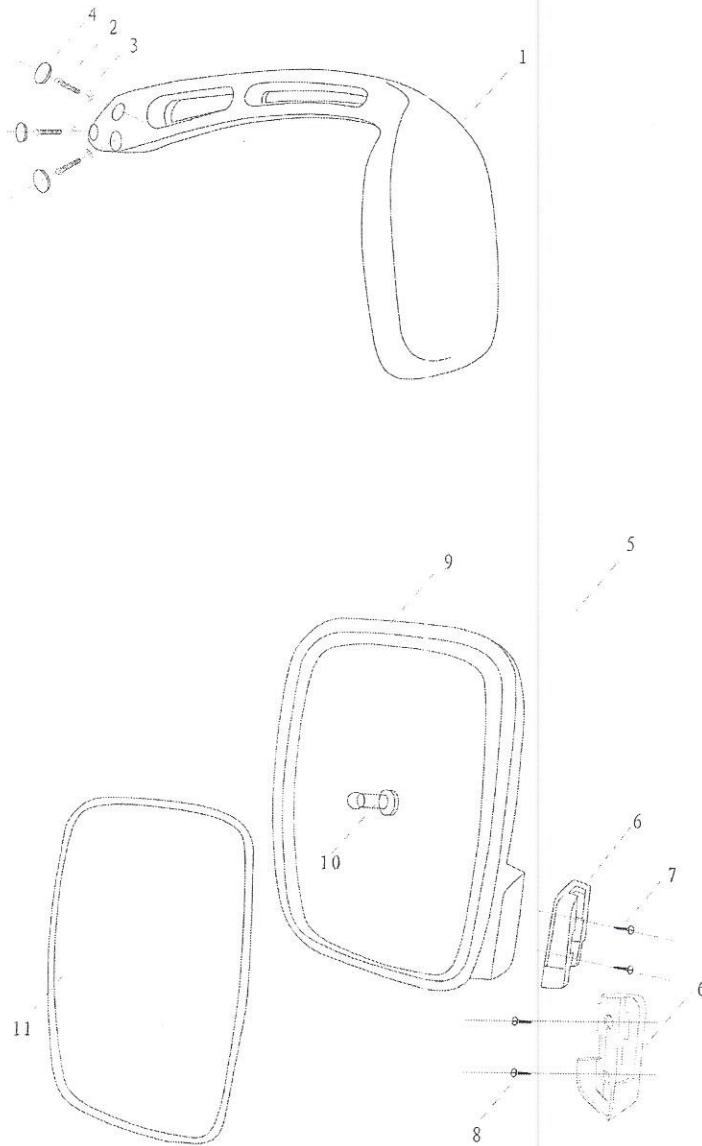
1-10 Rear Parts (车身后部)

Item No	Part No	Description	中文名称	Qty	Remark
1	7202010-016	Rear handle	后站板扶手	1	
2	5103110-014	Rear base	后底座	1	
3	5506010-001	Rear bumper (plastic)	后保险杠(塑料)	1	
	Q1840630	Rear bumper (FRP)	后保险杠(玻璃钢)	1	
4	Q150B0640	Hexad flange bolt M6x30	六角法兰面螺栓 M6×30	2	
5	Q40106	Hexad head bolt M6x40	六角头螺栓	8	

24-New

			M6×40		
6	Q40306	Flat washer M6	平垫圈 M6	16	
7	Q340B06	Spring gasket M6	弹簧垫圈 M6	8	
8	7202010-016	Hexad head nut M6	1 型六角螺母 M6	8	

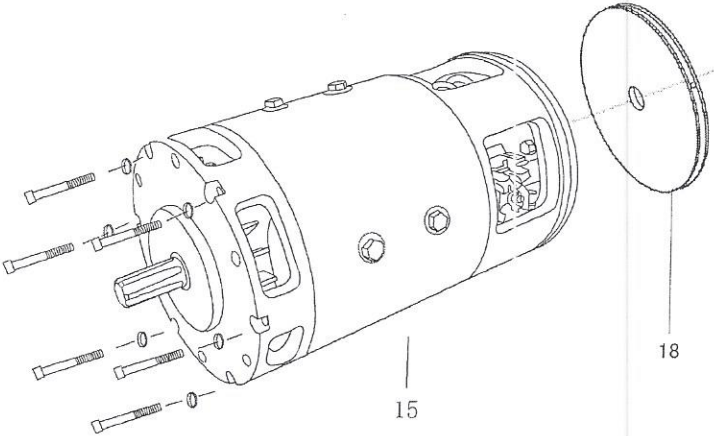
1-11 Side Rear View Mirror (侧后视镜)

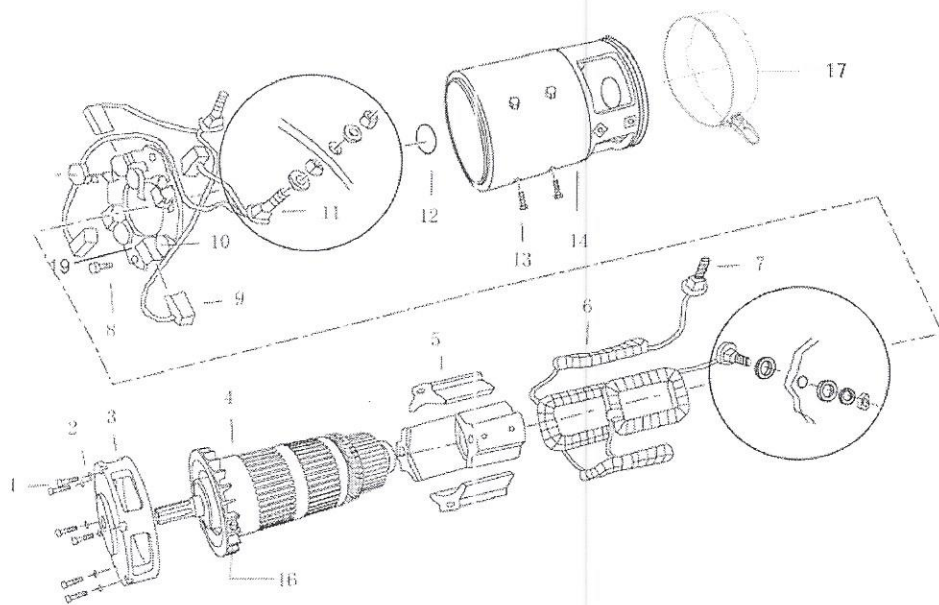


1-11 Side Rear View Mirror (侧后视镜)

Item No	Part No	Description	中文名称	Qty	Remark
1	9002200-005	Side rear view mirror RH	右外后视镜总成	1	
2	Q150B0845	Hexad head bolt M8x45	六角头螺栓 M8x45	3	
3	40108	Flat washer M8	平垫圈 M8	3	
4		Rubber cap	橡胶塞	3	
5	9002100-005	Side rear view mirror LH	左外后视镜总成	1	
6	9002010-005	Install bracket for left side rear view mirror	左外后视镜安装支架	1	Plastic
7	Q2730425	Cross groove half round head self-tapping screw M4x25	十字槽大圆头自攻螺钉 M4x25	2	
8	Q2740425	Cross groove deep head self-tapping screw M4x25	十字槽沉头自攻螺钉-C型 M4x25	2	
9	9001012-001	Side rear view mirror shell, LH	左外后视镜外壳	1	FRP
10	9001015-001	Universal holder	外后视镜万向座	2	Left&Right
11	9001013-001	Len	左外后视镜镜片	2	Left&Right

2-1 Motor Assembly (直流牵引电机总成)





2-1 Motor Assembly (直流牵引电机总成)

72V/5KW Series Motor

Item No	Part No	Description	中文名称	Qty	Remark
1	10E8.926.012	Inner cross head screw	内六角头螺栓	6	
2	GB93-87-5	Washer	垫圈	6	
3	2103-M01	Motor cover	电机端盖	1	
4	2103-M02	Armature	电枢	1	
5	2103-M03	Pole core	磁极铁芯	4	
6	2103-M04	Field coil kit	励磁线圈	4	
7	462-1000810	Bolt	螺栓	2	
8	462-1000813	Bolt	螺栓	4	
9	XQ-5B/020	Carbon brush	碳刷	1	
10	XQ-5B/030	Brush spring	压簧	4	
11	462-1000810	Bolt	螺栓	2	
12	10E8.160.016	Snap ring	卡环	1	
13	GB5782-M8×40	Bolt	螺栓	8	
14	2103-M07	Motor case	电机壳体	1	
15	XQ-5B	Motor Assembly	电机总成	1	

16		Fan	风扇	1	
17		Carbon brush access	碳刷检修盖	1	
18		Motor lag	电机防护套	1	
19	XQ-5B/040	Brush shelf	刷架	1	

48V/5KW Series Motor

Item No	Part No	Description	中文名称	Qty	Remark
1		Inner cross head screw	内六角头螺栓	6	
2		Washer	垫圈	6	
3		Motor cover	电机端盖	1	
4		Armature	电枢	1	
5		Pole core	磁极铁芯	4	
6		Field coil kit	励磁线圈	4	
7		Bolt	螺栓	2	
8		Bolt	螺栓	4	
9	XQ-5H/020	Carbon brush	碳刷	1	
10	XQ-5H/030	Brush spring	压簧	4	
11		Bolt	螺栓	2	
12		Snap ring	卡环	1	
13		Bolt	螺栓	8	
14		Motor case	电机壳体	1	
15	XQ-5H	Motor Assembly	电机总成	1	
16		Fan	风扇	1	
17		Carbon brush access	碳刷检修盖	1	

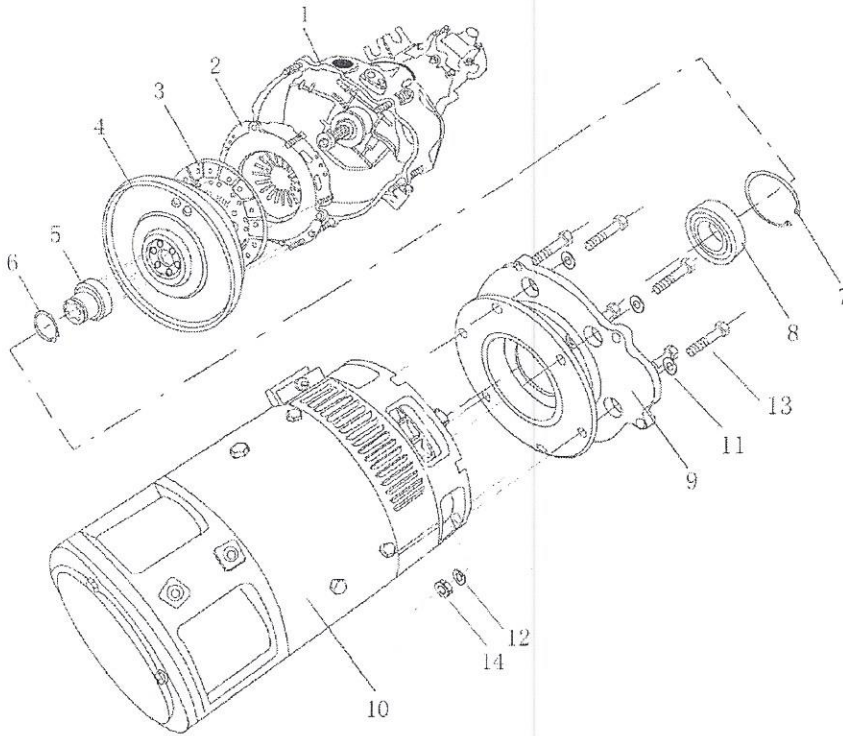
18		Motor lag	电机防护套	1	
19	XQ-5H/040	Brush shelf	刷架	1	

48V/5KW Sepex Motor

Item No	Part No	Description	中文名称	Qty	Remark
1		Inner cross head screw	内六角头螺栓	6	
2		Washer	垫圈	6	
3		Motor cover	电机端盖	1	
4		Armature	电枢	1	
5		Pole core	磁极铁芯	4	
6		Field coil kit	励磁线圈	4	
7		Bolt	螺栓	2	
8		Bolt	螺栓	4	
9	XQ-5B/020	Carbon brush	碳刷	1	
10	XQ-5B/030	Brush spring	压簧	4	
11		Bolt	螺栓	2	
12		Snap ring	卡环	1	
13		Bolt	螺栓	8	
14		Motor case	电机壳体	1	
15	1003000-003	Motor Assembly	电机总成	1	
16		Fan	风扇	1	
17		Carbon brush access	碳刷检修盖	1	

18		Motor lag	电机防护套	1	
19	XQ-5B/040	Brush shelf	刷架	1	

2-2 Power train System (驱动系统)

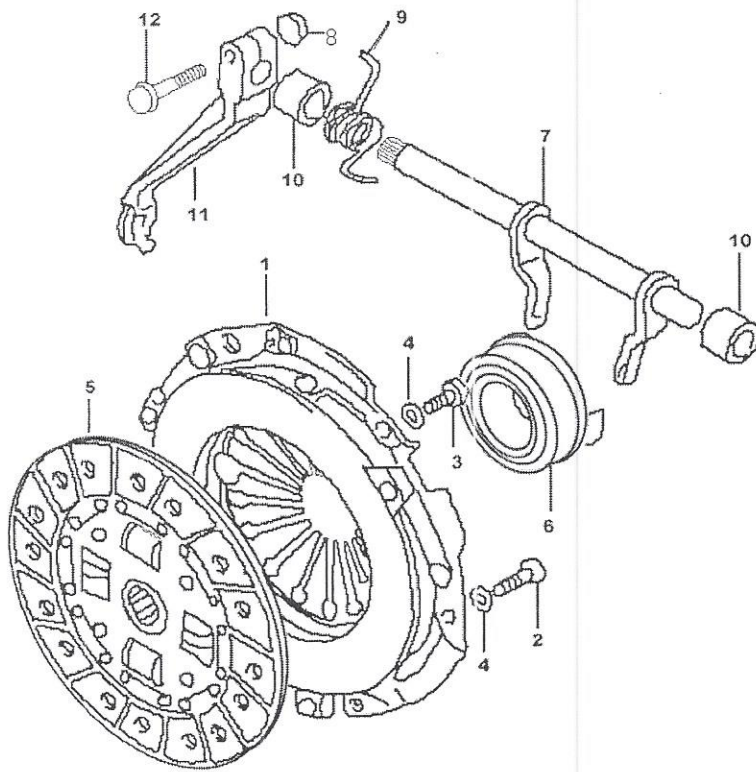


2-2 Power train System (驱动系统)

Item No	Part No	Description	中文名称	Qty	Remark
1	2101000-005	Gear-box	变速箱	1	
2	1901200-005	Clutch cover	离合器盖	1	
3	1901300-005	Clutch driven disk	离合器盘	1	
4	1901100-002	Flywheel	飞轮	1	462
5	1002020-002	Spline	连接法兰	1	
6	Q43140	Spring ring for bearing	轴用弹性挡圈	1	
7	Q43090	Spring ring for spline	孔用弹性挡圈	1	
8	6308-2Z	bearing	轴承	1	
9	1002010-002	Flange	连接壳体	1	
10	XQ-5B	Direct current motor	直流牵引电机	1	5KW
11	Q150B1245	Hexad head bolt M12x45	六角头螺栓	6	

			M12×45		
12	Q40112	Flat washer M12	平垫圈 M12	12	
13	Q40312	Spring gasket M12	弹簧垫圈 M12	6	
14	Q326M12	Hexad Nut M8	六角螺母 M12	6	

3-1 Clutch and Control (离合器及其操纵)

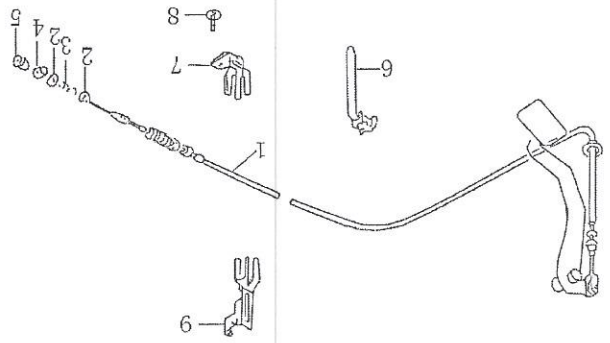


3-1 Clutch and Control (离合器及其操纵)

Item No	Part No	Description	中文名称	Qty	Remark
1	1901200-005	Clutch cover	离合器盖	1	
2	462-1005201	Locating screw	定位螺钉	2	
3	462-1000238	Screw	螺钉	4	
4	GB859-878	Spring washer	弹簧垫圈	6	
5	1901300-005	Cutch driven disk	离合器盘	1	
6	462-1601025	Release bearing	分离轴承	1	Included in gear box
7	462-1601806	Clutch release shaft assembly	离合器分离轴总成	1	Included in gear box
8	GB6172-M8	Clutch cap nut	离合器盖螺母	1	Included in gear box
9	462-1601022	Clutch release shaft spring	离合器分离轴弹簧	1	Included in gear box
10	462-1601021-A	Clutch release bearing	离合器分离轴衬套	1	Included in gear box
11	462-1700012-A	Clutch arm	离合器摇臂	1	Included in gear box
12	GB5787-M8×38	Screw	螺钉	1	Included in gear box

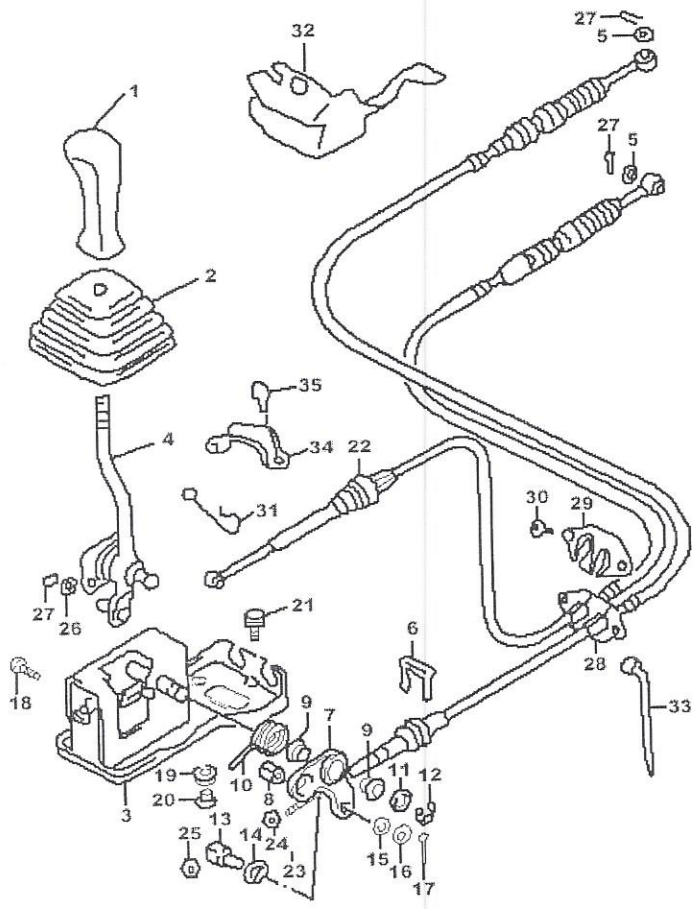
3-2 Clutch Tight Wire (离合器钢索)

Item No	Part No	Description	中文名称	Qty	Remark
1	1901410-005	Clutch tight wire assembly	离合器钢索总成	1	Include item 1-5
2	GB97.1-6-140HV-ZnD	Clutch tight wire link ring	离合器钢索接头垫圈	2	
3	2120-1602004	Clutch tight wire spring	离合器钢索弹簧	1	
4	2120-1602005	Clutch tight wire link pin	离合器钢索接头销	1	
5	2120-1602006	Clutch tight wire link nut	离合器钢索接头螺母	1	
6	2120-1602007	Clutch tight wire No.1 clamp	离合器钢索1号夹	2	
7	2120-1602008	Clutch tight wire No.2 clamp	离合器钢索2号夹	1	
8	2120-1602009	Clutch tight wire clamp	离合器钢索夹螺钉	1	



		bolt			
9	2120-1602010	Clutch tight wire No.3 clamp	离合器钢索 3号夹	1	

3-3 Gear Shifting Control (变速器换档操纵装置)

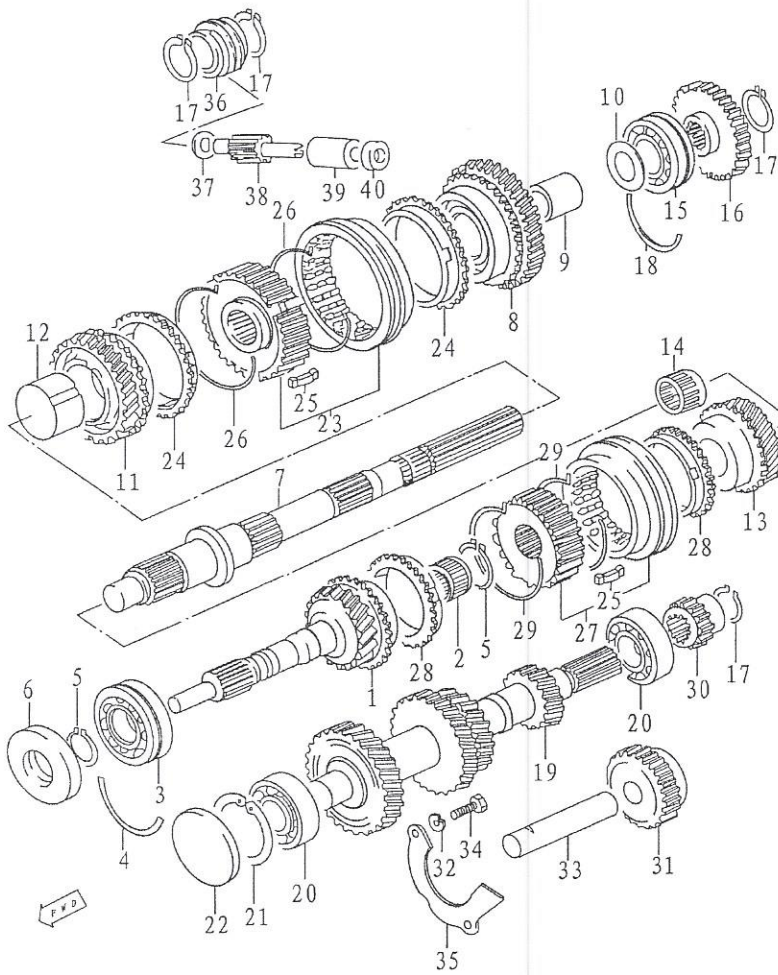


3-3 Gear Shifting Control (变速器换档操纵装置)

Item No	Part No	Description	中文名称	Qty	Remark
	2103100-002	Gear shifting Control system(include 1- 2j)	变速换挡操纵机构总成(包含 1-35)	1	
1	2120-1-1703310FA	Handle	手柄	1	
2	2103022-002	Boot	防尘罩	1	
3	2120-1-1703101DA	Bracket assembly	底座组件	1	
4	2120-1-1703110DA	Shifting lever assembly	操纵杆组件	1	
5	Q/2A-CJ-476	Washer, plain	平垫圈	2	
6	Q/2A-CJ-425	Washer	卡环	2	
7	2120-1-1703130CA	Arm assembly, rocket	摇臂组件	1	
8	2120-1-1703103DA	Bush	衬套	1	
9	2120-1-1703101CA	Bush	衬套	2	
10	Q/2A-CJ-435	Spring, return	回位弹簧	1	
11	Q40112	Washer, plain	平垫圈	1	
12	Q43690	Retainer	开口挡圈	1	
13	2120-1-1703108CA	Fitting	接头	1	
14	2120-1-1703105CA	Bush, shaft	轴套	1	
15	Q40108	Washer, plain	平垫圈	2	
16	Q/2AM26-8	Spring washer, saddle	鞍型弹簧垫圈	1	
17	Q5002020	Split pin	开口销	1	
18	Q/2A-CJ-29-M5×12	Blot, washer assembled	六角头螺栓	4	
19	2120-1-1703106CA	Spacer, bump	减振块	4	
20	2120-1-1703107CA	Bush	衬套	4	
21	Q/2A-CJ-63-M6×30	Blot, washer assembled	六角头螺栓组合件	4	
22	2102100-005	Cable assembly, shift control	换挡操纵钢索总成	1	
23	2102200-005	Cable assembly select control	选挡操纵钢索总成	1	
24、25	Q/2A-CJ-473-M6	Nut, hexagon	六角螺母	2	
26	Q/2AJ-8×14×1.5	Washer	垫圈	1	
27	Q/2A-CJ-462-8	Pin snap	卡销	3	
28	2120-1-1703013CA	Seat, fixing	固定座	1	
29	2120-1-1703012CA	Plate, fixing	固定板	1	
30	Q271B6316	Screw, cross recess disk head tapping	盘头自攻螺钉	2	
31	Q/2A-CJ-476-120	Hook, guide	钩	1	
32	2120-1-1703010FA	Bracket, cable rear	钢索后支架	1	
33	Q/2A-CJ-415	Cassette, plastic	塑料	2	
34	2120-1-1703006CA	Plate, guide	导向板	1	

35	Q/2A-CJ-30-M6×12-8.8	Blot, washer assembly	六角螺栓组合件	2	
----	----------------------	-----------------------	---------	---	--

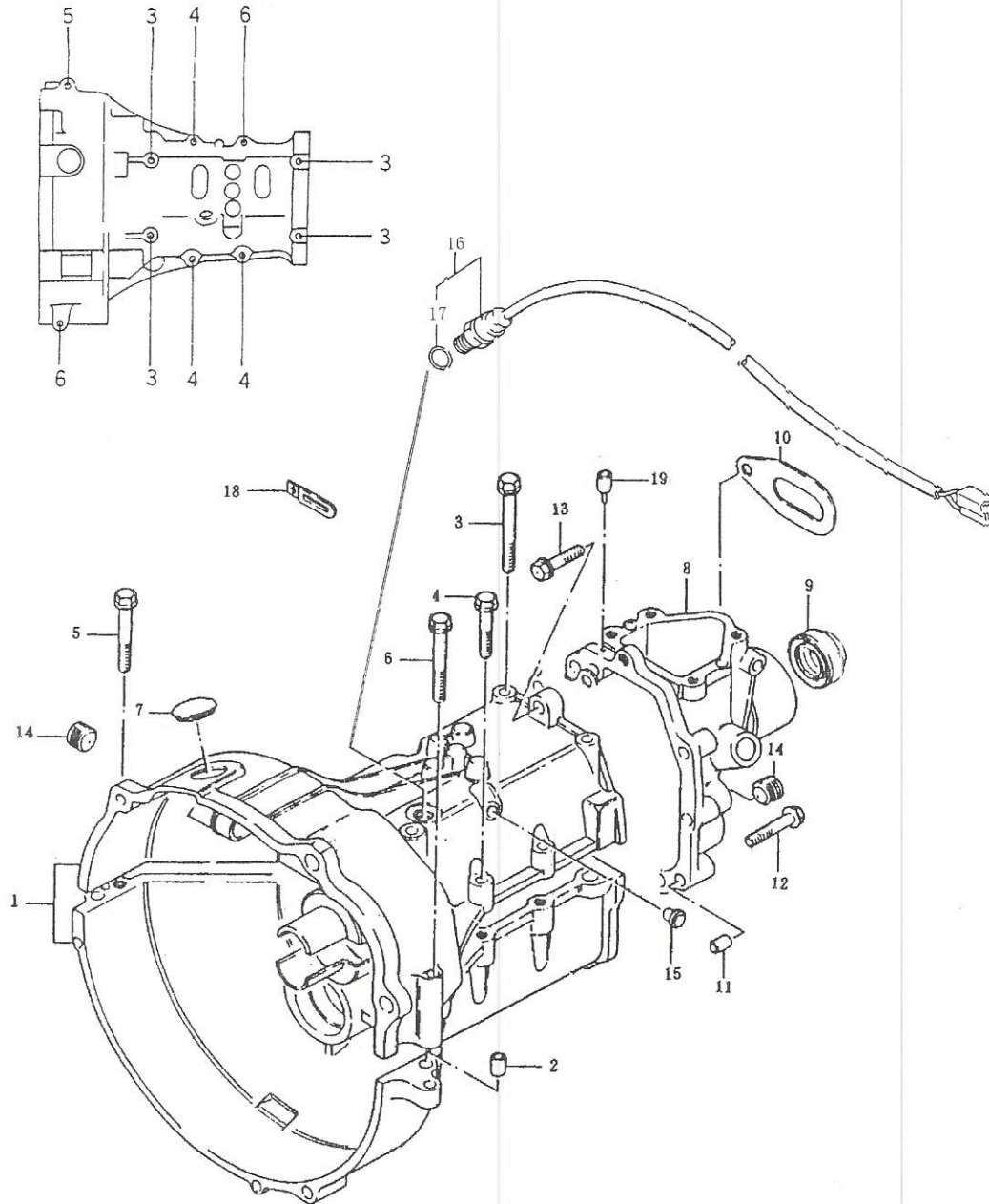
3-4 Gear Box (变速箱传动部分)



3-4 Gear Box (变速箱传动部分)

Item No	Part No	Description	中文名称	Cty	Remark
1	1701030-MR406A31	1st shaft Assembly	一轴总成	1	
2	GB5846-86K17.52216	Roller bearing	滚针轴承	1	
3	GB/T276-94 6204N	Bearing	轴承	1	
4	1701036-MR406A01	"C" type bearing locking ring	C型轴承锁环	1	
5	Q/JZ0910S=1.3	Retaining ring	挡圈	2	
6	1701086-MR406A01	1 st shaft oil seal	一轴油封	1	
7	1701105-MR406A01	No.2 shaft	二轴	1	
8	1701113-MR406A01	1 st shaft gear	一档齿轮	1	
9	1701124-MR406A01	1st shaft gear bush	一档齿轮衬套	1	
10	1701125-MR406A01	Thrust washer	止推垫圈	1	
11	1701126-MR406A01	2 nd shaft gear	二档齿轮	1	
12	1701143-MR406A01	2 nd shaft gear bush	二档齿轮衬套	1	
13	1701132-MR406A01	3 rd shaft gear	三档齿轮	1	
14	GB5846-86K303524	Roller bearing	滚针轴承	1	
15	GB/T276-94 6205N	Bearing	轴承	1	
16	1701112-MR406A01	Reverse driven gear	倒档从动齿轮	1	
17	Q/JZ0910S=1.3	Retaining ring	挡圈	1	
18	1701037-MR406A01	"C" type bearing locking ring	C型轴承锁环	1	
19	1701047-MR406A01	Middle gearing shaft	中间齿轮轴	1	
20	GB/T276-946204	Bearing	轴承	2	
21	Q/JZ0910S=1.7	Retaining ring	挡圈	1	
22	1701057-MR406A01	Rubber plug Assembly	胶堵总成	1	
23	1701115-MR406A01	1st /2nd shaft Synchronizer	一、二档同步器(低速同步器组件)	1	
24	1701129-MR406A01	Low-speed baulk ring	低速同步齿圈	2	
25	1701121-MR406A01	Key	滑块	3	
26	1701130-MR406A01	Spring hog ring	弹簧卡圈	2	
27	1701116-MR406A01	3 rd / 4 th shaft Synchronizer	三、四档同步器	1	
28	1701120-MR406A01	High-speed baulk ring	高速同步齿圈	2	
29	1701122-MR406A01	Spring hog ring	弹簧卡圈	2	
30	1701144-MR406A01	Reverse drive gear	倒档主动齿轮	1	
31	1701083-MR406A01	Reverse middle gear	倒档中间齿轮	2	
32		Spring washer	弹簧垫圈	2	
33	1701092-MR406A01	Reverse gear shaft	倒档齿轮轴	1	
34	Q/JZ0904	Screw	螺钉	2	
35	1701098-MR406A01	Bearing baffle	轴承挡片	1	
36	1701141-MR406A01	Speed chart worm	转速表蜗杆	1	
37	GB848-85 8	Thrust washer	止推圈	1	
38	1701142-MR406A01	Speed chart driven gear	速度表从动齿轮	1	
39	1701140-MR406A01	Bush	衬套	1	
40	1702049-MR406A01	Oil-sealing ring Assembly	封油圈总成	1	

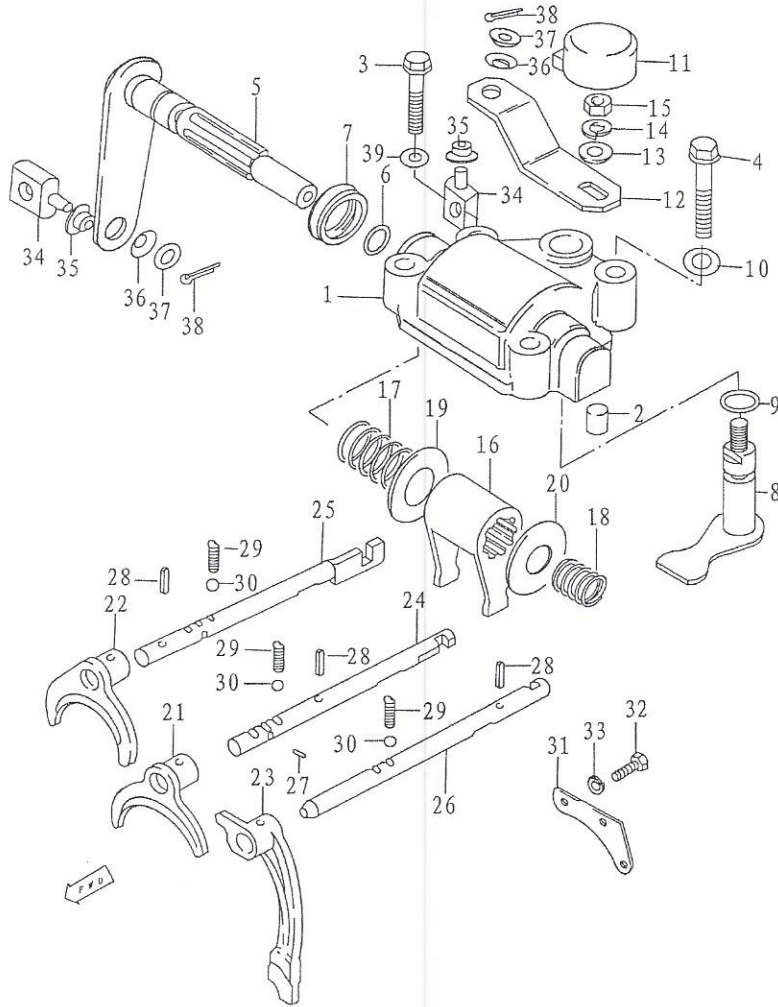
3-5 Transmission House (变速器壳体)



3-5 Transmission House (变速器壳体)

Item No	Part No	Description	中文名称	Qty	Remark
1	1701012-MR406A01	top&bottom housing assembly	上下箱组件	1	
2	1702261-MR406A01	cylindricalpin	圆柱销	1	
3	Q/JZ0904	bolt M8×95	螺栓	2	
4	Q/JZ0904	bolt M8×40	螺栓	4	
5	Q/JZ0904	bolt M8×80	螺栓	4	
6	Q/JZ0904	bolt M8×80	螺栓	1	
7	1702213-MR406A01	top housing cover	上箱孔罩	1	
8	1702040-MR406A01	extension housing assembly	延伸箱组件	1	
9	1702045-MR406A01	seal ring assembly	密封圈总成	1	
10	1702231-MR406A01	hoist ring	起重环	1	
11	1702261-MR406A01	cylindricalpin	圆柱销	2	
12	Q/JZ0904	bolt M8×30	螺栓	7	
13	Q/JZ0904	bolt M8×30	螺栓	1	
14	1709905-MR406A01	plug	螺塞	2	
15	1702055-MR406A01	plug	堵头	1	
16	1709910-MR406A01	reverse light switch	倒车灯开关总成	1	
17	GB3452.1-82	o-ring	O型密封圈	1	
18	1702251-MR406A01	clip	卡子	2	
19	1702044-MR406A01	exhaust plug	排气塞	1	

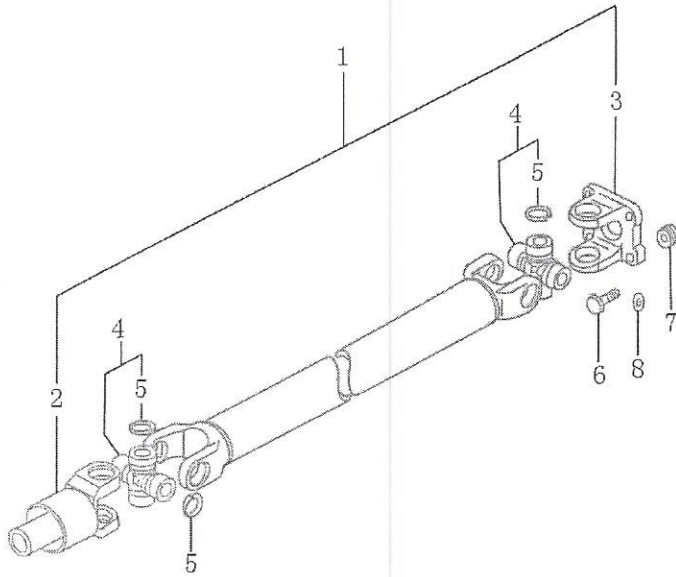
3-6 Transmission Control (变速操纵)



3-6 Transmission Control (变速操纵)

Item No	Part No	Description	中文名称	Qty	Remark
1	1702042-MR406A01	Shift cranker shaft case	换挡手柄轴壳	1	
2	GB119-86 A6×12	Location pin	定位销	1	
3	Q/JZ0904	Screw	螺钉	3	
4		Screw	螺钉	1	
5		Shift cranker shaft Assembly	换挡手柄轴总成	1	
6	GB3452.1-82	Rubber gasket	胶圈	1	
7	1702095-MR406A01	Rubber cap	胶套	1	
8	1702097-MR406A01	Shifting arm shaft	换挡臂轴	1	
9	GB3452.1-82	Rubber gasket	胶圈	1	
10		washer	垫圈	1	
11	1702096-MR406A01	Rubber cap	胶帽	1	
12	1702120-MR406B01	Rocker	摇臂	1	
13	GB97.1-85 M8	Washer	垫圈	1	
14	GB859-87 M8	Spring washer	弹簧垫圈	1	
15	GB6170-86 M8	Nut	螺母	1	
16	1702092-MR406A01	Shifting fork	换挡叉臂	1	
17	1702093-MR406A01	Spring	弹簧	1	
18	1702215-MR406A01	Spring	弹簧	1	
19	1702094-MR406A01	Washer	垫圈	1	
20	1702102-MR406A01	Washer	垫圈	1	
21	1702026-MR406A01	1 st /2 nd shift fork	一二档拨叉	1	
22	1702029-MR406A01	3 rd /4 th shift fork	三四档拨叉	1	
23	1702025-MR406A01	Reverse fork	倒档拨叉	1	
24	1702059-MR406A01	1 st /2 nd shift fork shaft	一二档拨叉轴	1	
25	1702068-MR406A01	3 rd /4 th shift fork shaft	三四档拨叉轴	1	
26	SC110-1702069	Reverse fork shaft	倒档拨叉轴	1	
27	GB309-84	Lockself pin	自锁销	1	
28	Q/JZ0903	Spring pin	弹簧销	3	
29	1702087-MR406A01	Spring	弹簧	3	
30	GB308-89 7.9375	Steel ball	钢球	5	
31	1702088-MR406A01	Baffle	挡板	1	
32	Q/JZ0904	Screw	螺钉	2	
33		Spring washer	弹簧垫圈	2	
34		Rocker connecting	摇臂接头	2	
35		Bush	衬套	2	
36		Saddle spring washer	鞍型弹性垫圈	2	
37		Washer	垫圈	2	
38		Split pin	开口销	2	
39		Washer	垫圈	3	

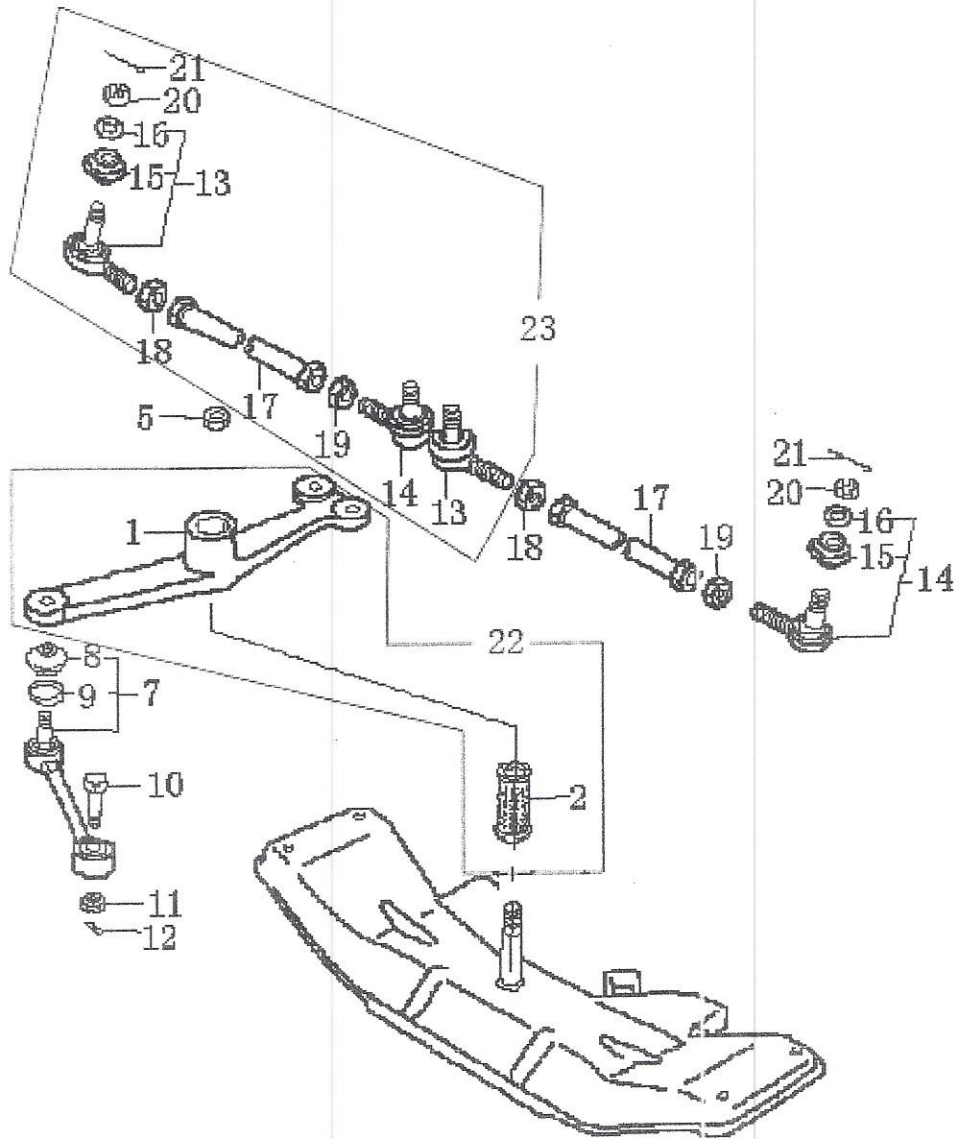
3-7 Propeller Shaft Assembly (传动轴)



3-7 Propeller Shaft Assembly (传动轴)

Item No	Part No	Description	中文名称	Qty	Remark
1	2202100-009	Shaft assembly, propeller	传动轴总成	1	For 5KW motor
2	1010-2201120A	Sliding yoke assembly	滑动叉组件	1	
3	1010-2201110A	Flange	突缘叉	1	
4	1010-2201140A	Spider assembly	十字轴总成	2	
5	1010-2201147A	Retainer, holespring	十字轴卡环	8	
6	GB5783-M8×25	Bolt, hex-head	传动轴螺栓	4	
7	Q150B08	Nut assembly	传动轴螺母	4	
8	GB93-87 8	Washer	弹簧垫圈	4	

4-1 Pitman arm, Drag link, Tie rod (转向摇臂、直拉杆、横拉杆)

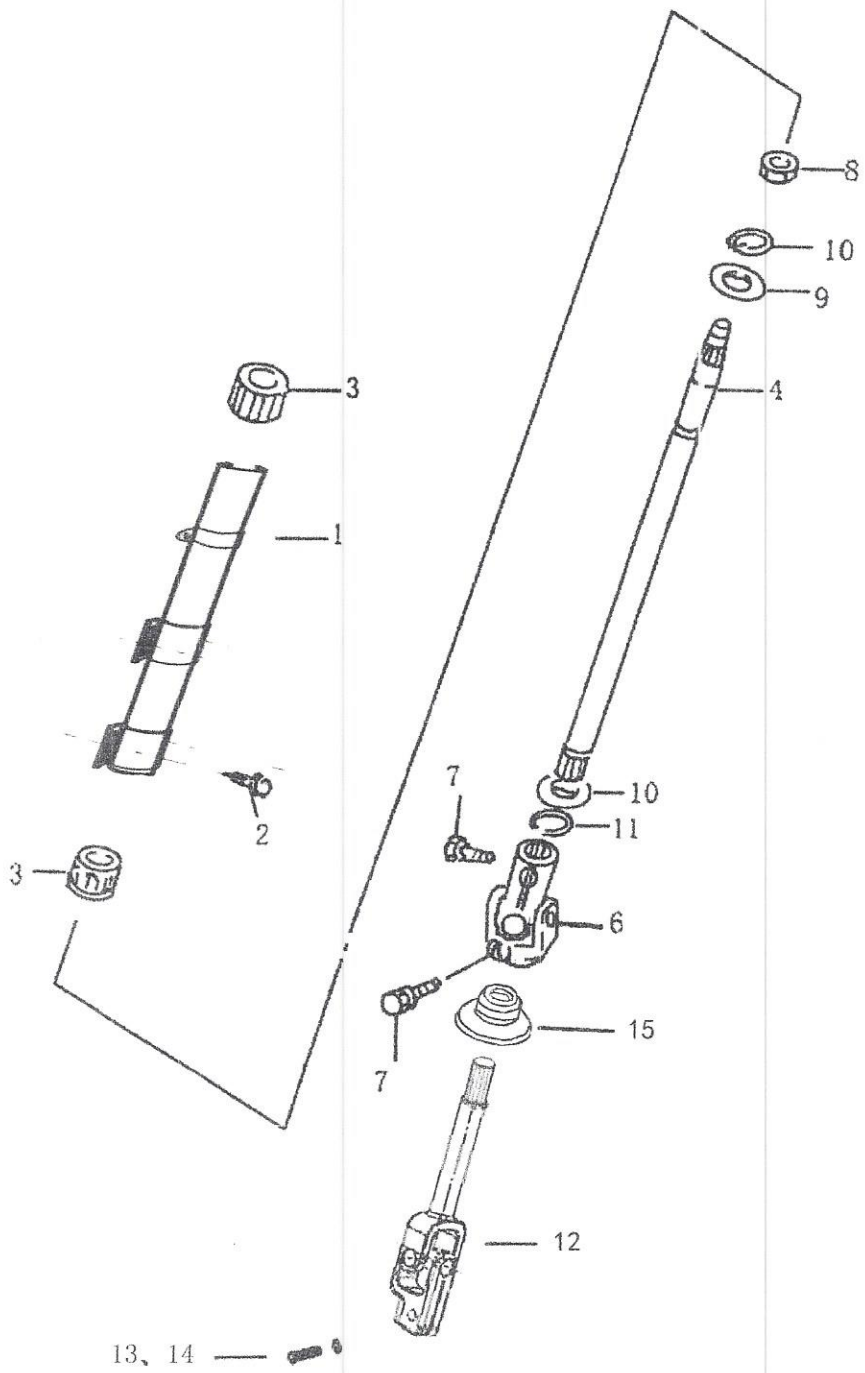


4-1 Pitman arm, Drag link, Tie rod (转向摇臂、直拉杆、横拉杆)

Item No	Part No	Description	零配件名称	Qty/car	Remark
1	2706200-014	Pitman arm	转向中间摇臂组件	1	
2	3402-3003110A	Pitman arm bush	转向摇臂衬套组件	1	
3	3402-3003001A	Pitman arm dust cap	转向摇臂防尘罩		
4	3402-3003002A	Pitman arm washer	转向摇臂垫圈		
5	M18×1.5Q/7Am-218-92.8	Pitman arm nut	转向摇臂螺母	1	
6		Pitman arm lock washer	转向摇臂锁止垫圈	1	
7	6082-2706010	Steering drag link Assembly	转向直拉杆总成	1	Include: 8-12
8	3402-3003217A	Dust cap	防尘密封罩	2	
9	3402-3003218A	Lock spring	锁紧弹簧	2	
10		Steering drag link bolt	转向直拉杆螺栓	1	
11	M12×12.5A/7Am-216-92	Nut	槽形螺母	2	
12	GB91-3.2×24-Zn·D	Split pin	开口销	2	
13	2706320-014	Steering tie rod end Assembly, RH	右横拉杆接头组件	2	
14	2706320-024	Steering tie rod end Assembly, LH	左横拉杆接头组件	2	
15	3402-3003217A	Dust cap	防尘密封罩	4	
16	3402-3003218A	Lock spring	锁紧弹簧	4	
17		Drag link	直拉杆	2	
18	M14×1.5Q/7Am-211-8	Nut (right)	横拉杆球头右螺母	2	
19	M14×1.5Q/7Am-211-8	Nut (left)	横拉杆球头左螺母	2	
20	M12×1.25Q/7Am-216-92	Nut	槽形螺母	4	
21	GB91-3.2×24-Zn·D	Split pin	开口销	4	
22	2706200-014	Pitman arm assembly	转向中间摇臂组件	1	Include: 1-2
23	2706300-014	Steering tie rod assembly	转向横拉杆总成	2	Include:13-21

2014 - present

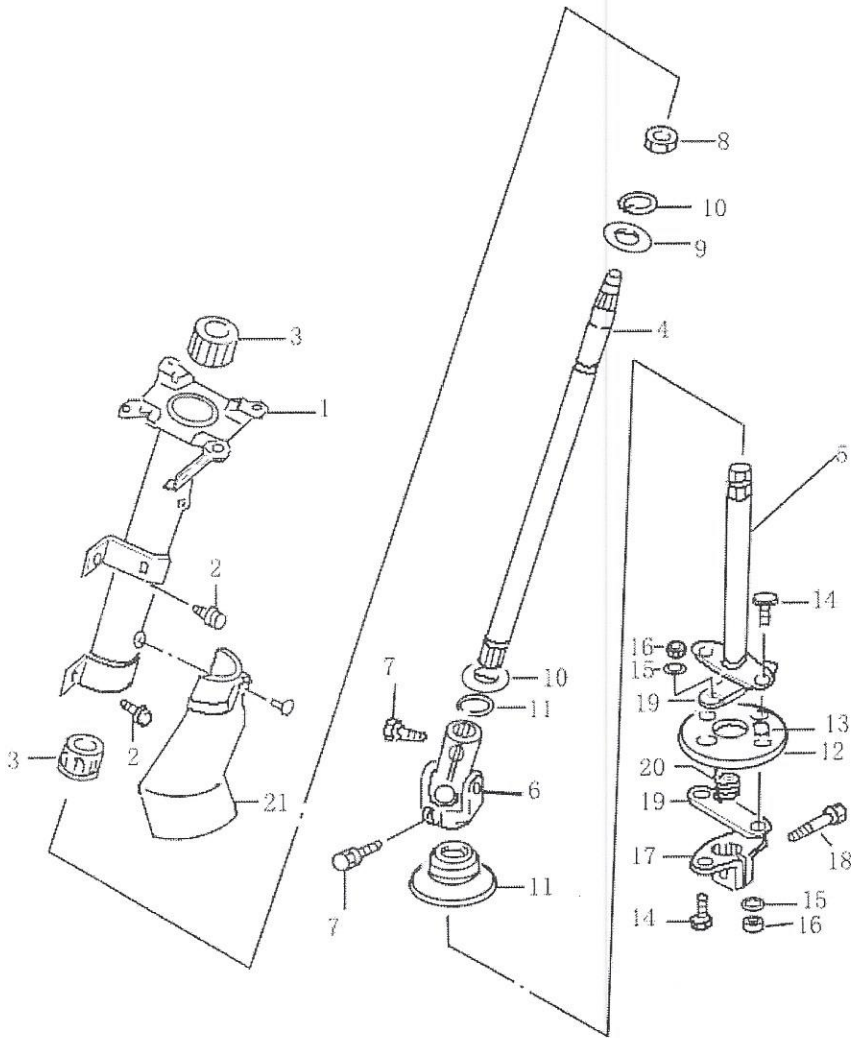
-2 转向轴总成 (Steering Shaft Assembly)



4-2 转向轴总成 (Steering Shaft Assembly)

图位号 Item No	零配件号 Part No	零配件名称 Description	单车数量 Qty	备注 Remark
1	2705100-002	转向轴管总成 Steering column, assembly	1	include # 1、3、 4、8、9、10
2	3403-011	转向轴管螺栓 Steering column bolt	4	
3	3403-012	转向轴管衬套 Steering column bushing	2	
4	3403-020	转向轴上轴 Steering upper shaft	1	Not sell
6	2704100-001	万向节总成 Universal joint	1	
7	3403-031	上接头螺栓 Upper tie end bolt	2	
8	3403-021	转向轴螺母 Steering shaft nut	1	
9	Q40308	转向轴垫圈 Steering shaft washer	2	
10	GB/T894.1-1986-17	转向轴弹性挡圈 Steering shaft spring washer	2	
11	3403-022	转向轴防尘密封罩 Dust seal of Steering shaft	1	
12	2704010-001	转向下轴总成 Steering lower shaft	1	<i>includes 1.5</i>
13	Q150B0825	六角头螺栓 M8×25 Hexad head bolt M8x25	1	
14	Q40208	平垫圈 M8 Flat washer M8	1	
15	3403-022	转向轴防尘密封罩 Dust seal of steering shaft	1	

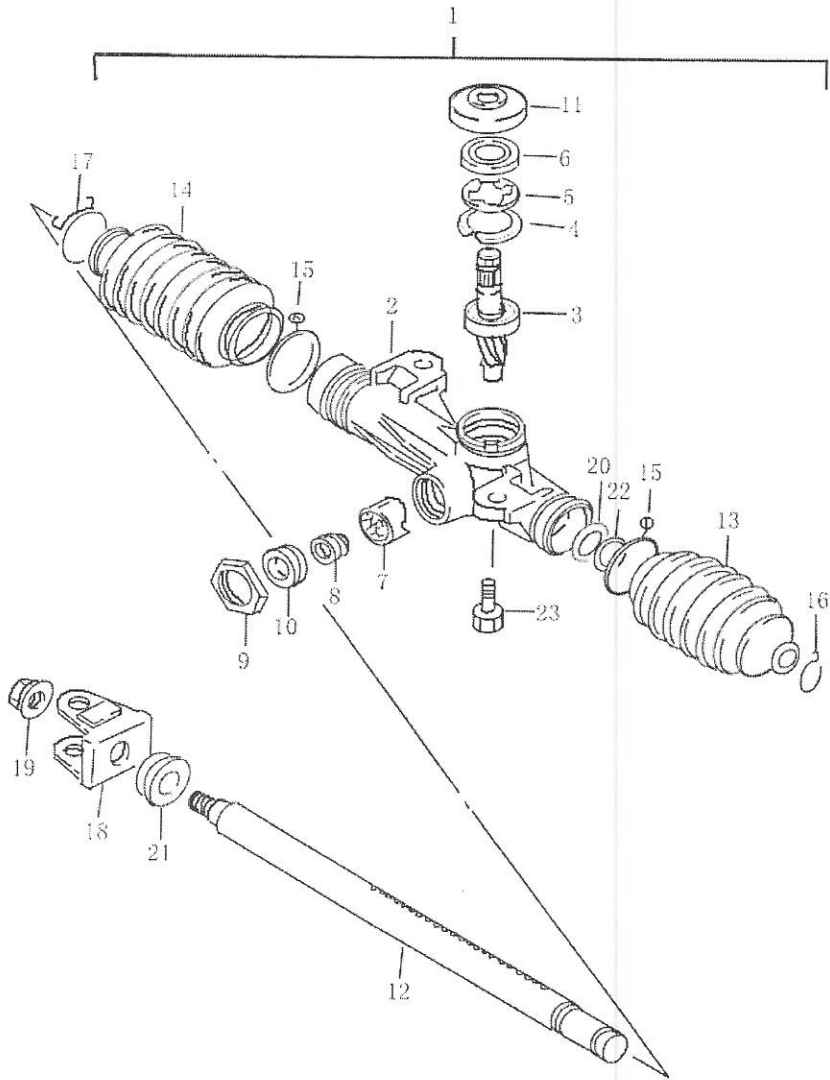
4-2 Steering Shaft Assembly (转向轴总成)



4-2 Steering Shaft Assembly (转向轴总成)

Item No	Part No	Description	零配件名称	Qty/car	Remark
1	2705100-002	Steering column, assembly	转向轴管总成	1	
2	3403-011	Steering column bolt	转向轴管螺栓	4	
3	3403-012	Steering column bushing	转向轴管衬套	2	
4	3403-020	Steering upper shaft	转向轴上轴	1	
5	2704300-005	Steering lower shaft	转向轴下轴	1	Include: 11-20
6	2704100-001	Universal joint	万向节总成	1	
7	3403-031	Upper tie end bolt	上接头螺栓	2	
8	3403-021	Steering shaft nut	转向轴螺母	1	
9	Q40308	Steering shaft washer	转向轴垫圈	2	
10	GB/T894.1-1986-17	Steering shaft spring washer	转向轴弹性挡圈	2	
11	3403-022	Dust seal of Steering shaft	转向轴防尘密封罩	1	
12	0303-044	Coupling rubber	橡胶接头	1	
13	3403-043	Coupling rubber bushing	橡胶接头衬套	4	
14	3403-041	Bolt	螺栓	4	
15	Q40312	Spring washer	弹簧垫圈	4	
16	Q340B08	Nut	螺母	1	
17	3403-045	Tie flange end	法兰盘接头	1	
18	0403-046	Coupling rubber bolt	橡胶接头螺栓	1	
19	34703-042	Coupling rubber plate	橡胶接头垫板	2	
20	3403-044	Spring	弹簧	1	
21	3403-013	Steering tie end cover	转向接头盖	1	

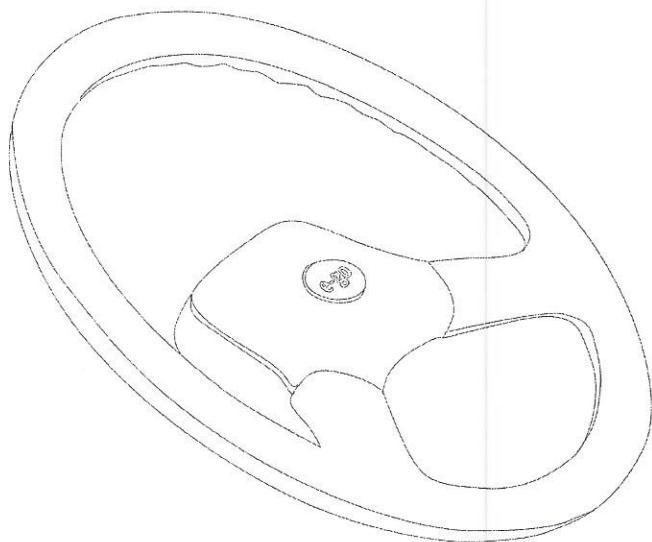
4-3 Steering Gear Assembly (转向器总成)



4-3 Steering Gear Assembly (转向器总成)

Item No	Part No	Description	零配件名称	Qty/car	Remark
1	2701100-005	Steering gear assembly	转向器总成	1	
2	3401-010	Steering gear housing	转向器壳体组件	1	
3	3401-020	Pinion, compl	转向器小齿轮组件	1	
4	3401-021	Gear bearing spring washer	齿轮轴承弹性挡圈	1	
5	3401-022	Gear bearing washer	齿轮轴承挡圈	1	
6	3401-023	Steering gear oil seal	转向器壳体油封	1	
7	3401-030	Steering rack plug	转向齿条柱塞	1	
8	3401-031	Rack plug spring	齿条柱塞弹簧	1	
9	3401-032	Rack damp nut	齿条阻尼螺母	1	
10	3401-033	Rack damp bolt	齿条阻尼器螺钉	1	
11	3401-024	Cap of pinion	小齿轮盖	1	
12	3401-040	Steering rack	转向齿条	1	
13	3401-050	Dust boot 1 of rack	齿条 1 号防尘罩	1	
14	3401-060	Dust boot 2 of rack	齿条 2 号防尘罩	1	
15	3401-061	Dust boot of rack, lock	防尘罩夹箍	2	
16	3401-052	Dust boot of rack, lock 1	1 号防尘罩夹箍	1	
17	3401-053	Dust boot of rack, lock 2	2 号防尘罩夹箍	1	
18	3401-041	York, rack	齿条接头叉	1	
19	3401-042	York nut, rack	齿条接头叉螺母	1	
20	3401-053	Limit ring of rack, no.1	齿条 1 号止动垫	1	
21	3401-043	Limit ring of rack, no.2	齿条 2 号止动垫	1	
22	3401-054	Limit ring of rack, spring	齿条止动垫开口环	1	
23	Q/2A-CJ-175A-M10×1.25×45-8.8	Bolt of steering gear	转向器固定螺栓	2	

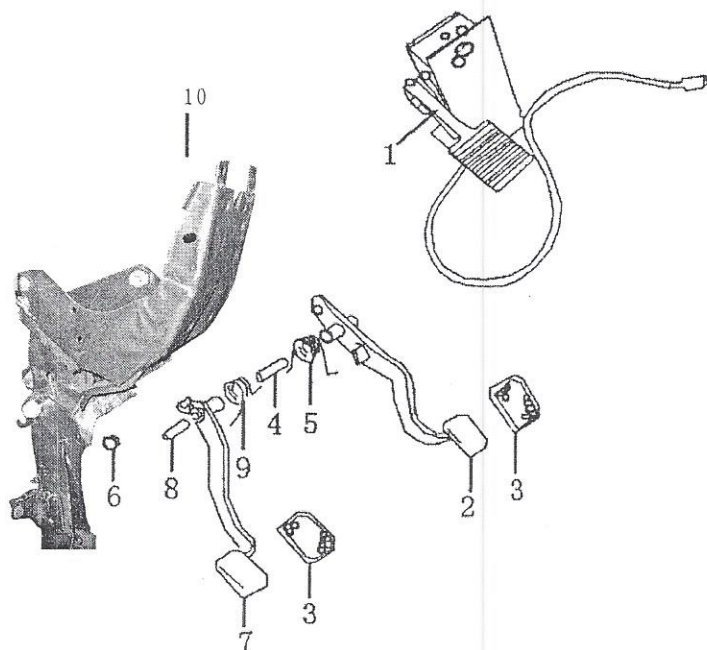
4-4 Steering Wheel Assembly (方向盘总成)



4-4 Steering Wheel Assembly (方向盘总成)

Item No	Part No	Description	中文名称	Qty	Remark
1	2702100-002	Steering wheel Assembly	方向盘总成	1	

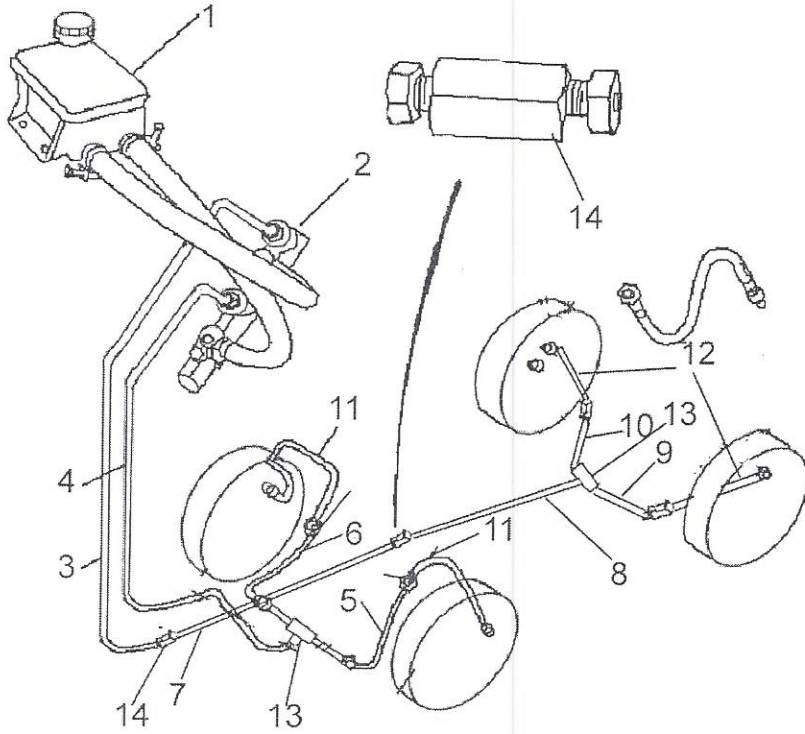
5-1 Accelerate, Clutch, Brake Pedal & Bracket (加速、离合器、制动踏板及支架总成)



5-1 Accelerate, Clutch, Brake Pedal & Bracket
(加速、离合器、制动踏板及支架总成)

Item No	Part No	Description	中文名称	Qty	Remark
1	1007100-002	Accelerate pedal assembly	加速踏板总成	1	
2	3504-3504110	Brake pedal assembly	制动踏板组件	1	
3	2803131-022	Pedal mat	行车制动橡胶面板	2	
4	3504-10107	Brake pedal bushing	制动踏板衬套	1	
5	2803111-022	Brake pedal return spring	行车制动踏板扭簧	1	
6	3504-20103	Brake pedal shaft nut	制动踏板轴螺母	1	
7	3504-85011	Clutch pedal assembly	离合器踏板组件	1	
8	3504-10042	Clutch pedal bushing	离合器踏板衬套	1	
9	3504-29004	Clutch pedal spring	离合器踏板弹簧	1	
10	2803100-002	Brake&clutch pedal assembly	制动及离合器踏板总成	1	include: item 2-9

5-2 Reservoir Assembly and Brake Pipe (制动总泵及制动管路)

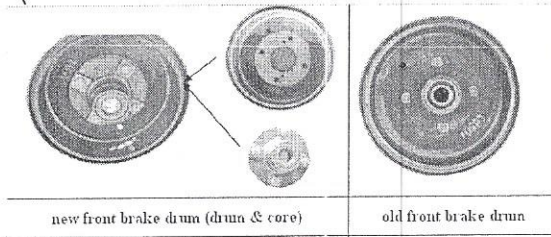
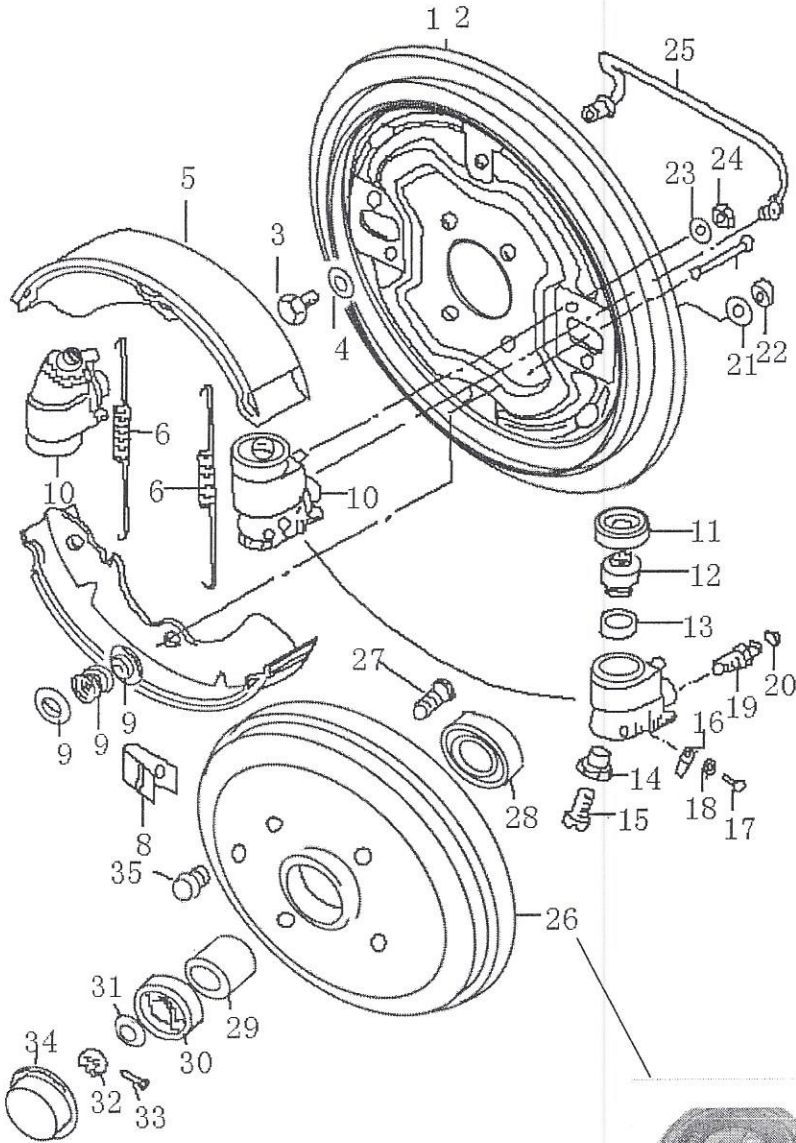


5-2 Reservoir Assembly and Brake Pipe

(制动总泵及制动管路)

Item No	Part No	Description	中文名称	Qty	Remark
1	6083-2805020	Reservoir Assembly	电子报警制动储液罐总成	1	
2	1010-3505000	M/CYL assembly	制动总泵带推杆总成	1	
3	2805020-011	Oil pipe 1880mm	油管总成-总泵至前直通	1	1880 mm
4	2805020-013	Oil pipe 1500mm	油管总成-总泵至前轮三通	1	1500 mm
5	2805020-003	Oil pipe 420mm	油管总成-前轮三通至左前轮制动软管	1	420mm
6	2805020-012	Oil pipe 550mm	油管总成-前轮三通至右前轮制动软管	1	550mm
7	2805020-011	Oil pipe 1880mm	油管总成-前直通至后直通	1	1880 mm
8	2805020-004	Oil pipe 600mm	油管总成-后直通至后三通	1	600mm
9、10	2805020-012	Oil pipe 550mm	油管总成-后三通至后轮制动软管	2	550 mm
11	2805030-005	Brake cable 350mm	前轮制动软管至前轮制动器	2	350 mm
12	2805030-008	Brake cable 600mm	后轮制动软管	2	600 mm
13	2805014-002	Tri-connector	三通接头	2	
14	2805016-001	Straight connector	直通接头	2	

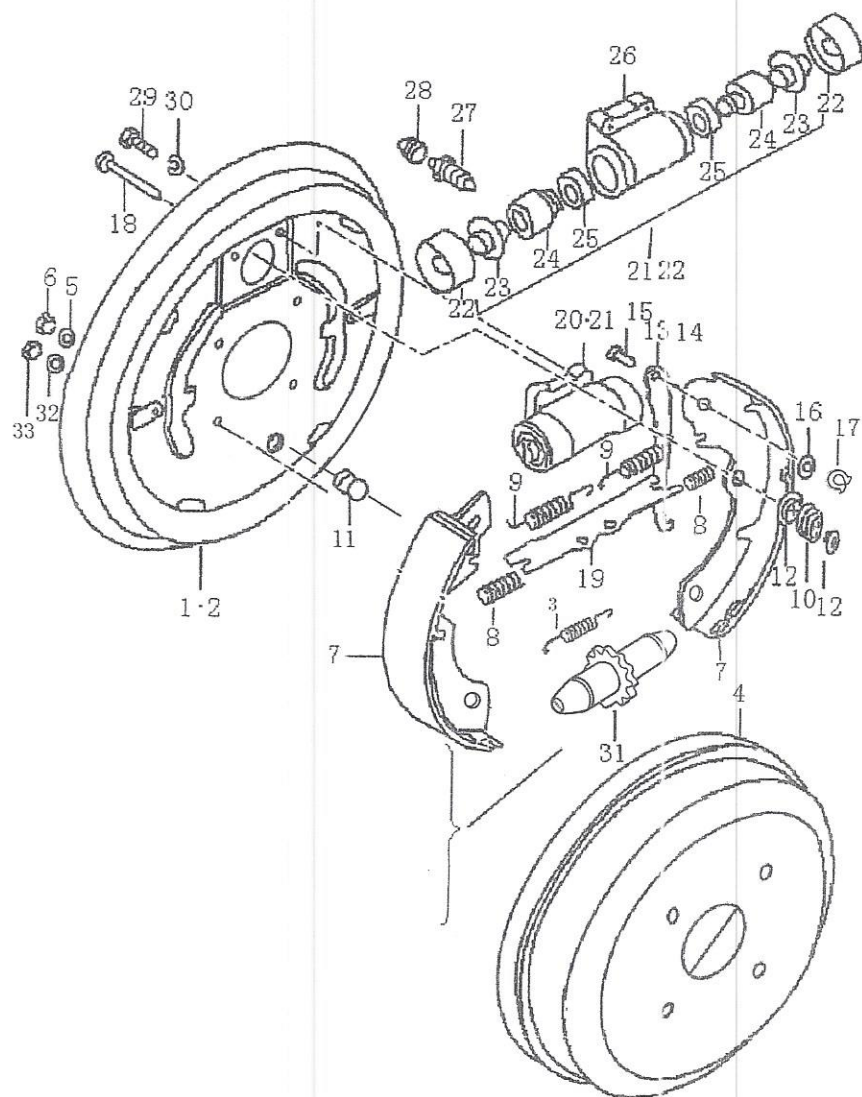
5-3 Front Drum Brake Assembly (前轮鼓式制动器)



5-3 Front Drum Brake Assembly (前轮鼓式制动器)

Item No	Part No	Description	零配件名称	Qty/car	Remark
1	2801200-005	Brake assembly front, RH	右前轮制动器底板组件	1	
2	2801100-005	Brake assembly front, LH	左前轮制动器底板组件	1	
3	GB5783-M8×20-8.8-ZnD	Bolt washer assembled	底板组件固定螺栓	8	
4	GB93-87 8	Spring washer	弹簧垫圈	8	
5	6082-2801080	Brake shoe assembly	制动蹄片	4	
6	3501-3501101	Spring	弹簧	4	
7	3501-3502107	Flat head screw	扁头钉	4	
8	3501-3502109	Flat spring	制动蹄固定弹簧片	4	
9	3501-3502110	Spring washer	弹簧特型垫圈	4	
10	2801130-005	Leading cylinder assembly, RH	右前制动器后分泵	1	
10	2801120-005	Leading cylinder assembly, RH	右前制动器前分泵	1	
10	2801230-005	Trailing cylinder assembly, LH	左前制动器后分泵	1	
10	2801220-005	Trailing cylinder assembly, LH	左前制动器前分泵	1	
11	3501-3501313	Dust boot	防尘罩	4	
12	3501-3501311	Piston	活塞	4	
13	3501-3501312	Bowl plug	皮碗	4	
14	3501-3502534	Adjusting key	调节键	4	
15	3501-3502532	Adjusting screw	调节螺钉	4	
16	3501-3501314	Flat spring	弹簧片	4	
17	3501-3501316	Screw	螺钉	4	
18	GB859-87 4	Spring washer	弹簧垫圈	4	
19	3501-3502318	Bleed plug	放气塞	2	
20	3501-3502319	Rubber cap	橡胶帽盖	2	
21	GB93-87 8	Spring washer	弹簧垫圈	2	
22	GB6170-87M8-ZnD	Small Hex-head nut	小六角螺母	2	
23	GB859-87 6	Spring washer	弹簧垫圈	2	
24	GB6170-87-M6-8-ZnD	Hex-head nut	六角螺母	2	
25	3501-3501160	Brake pipe	制动导管	2	
26	2801310-005	Front brake drum	前制动鼓总成	2	Before Sep.2012
	2801310-006	Front brake drum	前制动鼓总成		After Sep.2012
	2302110-026	Core for brake drum	轮芯		
27	3501-3501503	Blot	螺栓	8	
28	60205GB278	Inner bearing	内轴承	2	
29	3501-3501502	bush	间隔衬套	2	
30	204GB276	Outer bearing	外轴承	2	
31	GB97.1-16-140HV-ZnD	Washer	垫圈	2	
32	M16×1.5Q/7Am-216	Nut	螺母	2	
33	Gb91-4×30-ZnD	Split pin	开口销	2	
34	1010-2901003A	Shaft dust boot	轴防尘罩	2	
35	3501-3501504	Rubber plug	橡皮塞	2	

5-4 Rear Brake Assembly (后轮制动器总成)



5-4 Rear Brake Assembly (后轮制动器总成)

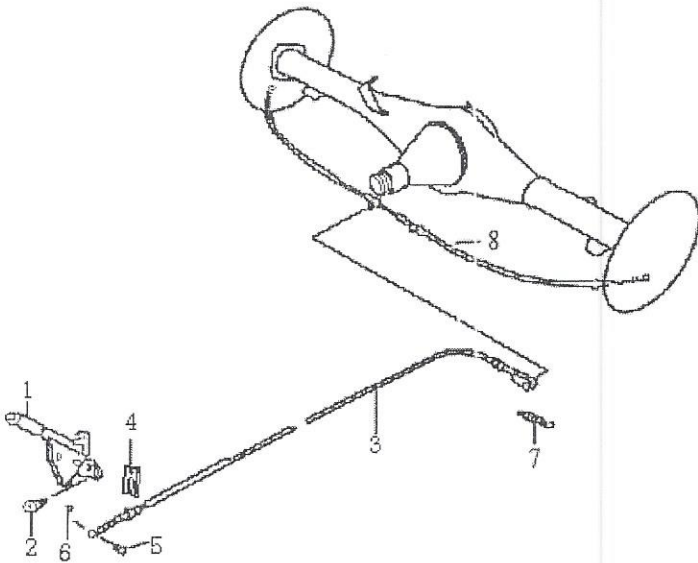
Item No	Part No	Description	中文名称	Qty	Remark
1	2802100-02	Brake assembly rear, LH (For shuttle with gear box)	左后制动器总成	1	Old P/N: HX8020-3502300
	2802100-022	Brake assembly rear, LH (For shuttle with auto transmission)	左后制动器总成	1	
2	2802200-021	Brake assembly rear, RH (For shuttle with gear box)	右后制动器总成	1	Old P/N: HX8020-3502400
	2802200-022	Brake assembly rear, RH (For shuttle with auto transmission)	右后制动器总成	1	
3		Spring	拉簧	2	
4	2802310-127 <i>AFKR 2012</i>	Rear Brake Drum	后制动鼓总成	2	Old P/N: WJ110-3502A110
5	GB859-87 8	Spring washer	弹簧垫圈	8	
6	GB6170-8-M8-8-ZnD	Retainer strut nut	压盖螺母	8	
7	2801110-005	Front brake shoe	前制动蹄	2	1030-2801010
	1030-2802011	Rear brake shoe	后制动蹄	2	
8		spring	弹簧	4	
9	3502-3502102	Rear brake shoe return spring	后制动蹄回位弹簧	4	
10		spring	弹簧	4	
11	3502-3501504	Rubber plug	橡皮塞	2	
12		Washer	特型垫圈	8	
13	3502-3502106	Right parking brake lever	右驻车制动杠杆	1	
14	3502-3502105	Left parking brake lever	左驻车制动杠杆	1	
15	3502-3502108	Parking brake shoe pin	驻车制动蹄销	2	
16	3502-3502111	Brake shoe pin shim	制动蹄销垫片	2	
17	GB91-86-2×12-ZnD	Split pin	开口销	2	
18	3502-3502107	Hold-down pin	扁头钉	4	
19	3502-3502114	Parking brake strut	驻车制动推杆	2	
20	EG8180-3502510	Rear wheel cylinder RH	后分泵	1	
21	3502-3502300	Rear wheel cylinder LH	左后制动器分泵	1	
22	3502-3502313	Rear wheel cylinder boot	后制动器分泵防尘罩	4	

Ref 201

23	3502-3502314	Rear wheel cylinder strut	后制动器分泵 支柱	4	
24	3502-3502312	Rear wheel cylinder piston	后制动器分泵 活塞	4	
25	3502-3502311	Rear wheel cylinder cup	后制动器分泵 皮碗	4	
26	3502-3502315	Rear wheel cylinder housing	后制动器分泵 壳体	2	
27	3502-3502318	Bleed plug	放气塞	1	
28	3502-3502315	Rubber cap	橡胶帽盖	1	
29	GB5783-89-M6×12-ZnD	Bolt Hex-head castle	六角头螺栓	4	
30	GB93-87 6 Z1D	Spring washer	弹簧垫圈	4	
31	3502-3502500	Fixed strut assembly	固定支座总成	2	
32	GB93-87-8-ZnD	Spring washer	弹簧垫圈	4	
33	GB6170-86-M8-8-ZnD	Small nut hex-head castle	小六角螺母	4	

26	3502-3502315	Rear wheel cylinder housing	后制动器分泵壳体	2	
27	3502-3502318	Bleed plug	放气塞	1	
28	3502-3502315	Rubber cap	橡胶帽盖	1	
29	GB5783-89-M6×12-ZnD	Bolt Hex-head castle	六角头螺栓	4	
30	GB93-87 6 ZnD	Spring washer	弹簧垫圈	4	
31	3502-3502500	Fixed strut assembly	固定支座总成	2	
32	GB93-87-8-ZnD	Spring washer	弹簧垫圈	4	
33	GB6170-86-M8-8-ZnD	Small nut hex-head castle	小六角螺母	4	

5-5 Parking Brake Handle (驻车制动操纵)



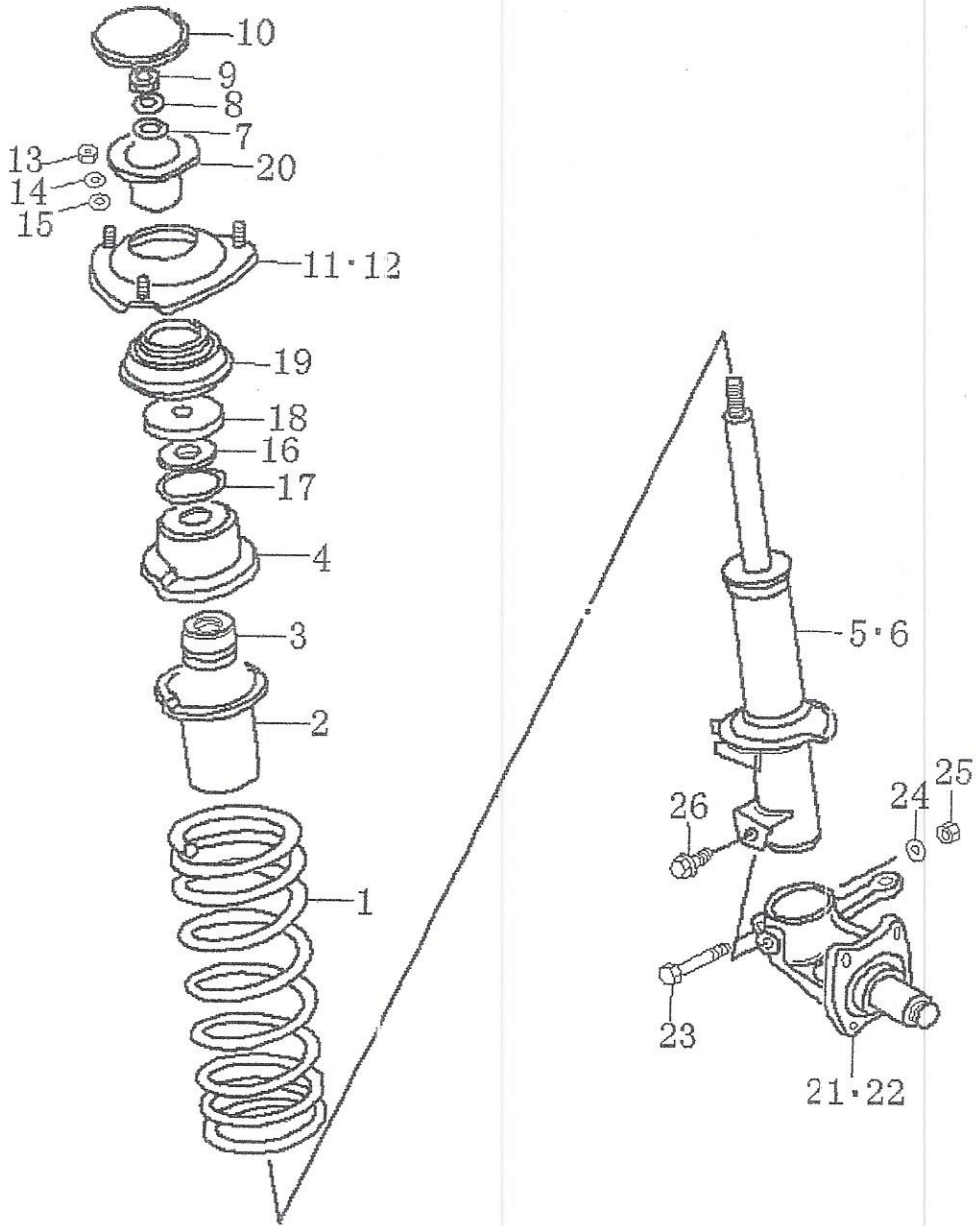
5-5 Parking Brake Handle (驻车制动操纵)

Item No	Part No	Description	中文名称	Qty	Remark
1	2807100-002	Parking brake control handle	驻车制动操纵手柄	1	

2	01550-08203	Parking brake lever bolt	手制动杆螺栓	2	
3	2807200-003	Parking brake cable assembly 1	1 号驻车制动钢索总成	1	
4	09383-12001	Cable split retaining ring 1	1 号钢索开口挡圈	1	
5	09200-08049	Cable clutch pin 1	1 号钢索连接销	1	
6	04111-25126	Cable clutch pin 1	1 号钢索连接销	1	
7	09443-15008	Cable return spring	钢索回位弹簧	1	
8	1018-3508100	Parking brake cable assembly 2	2 号驻车制动钢索总成	1	

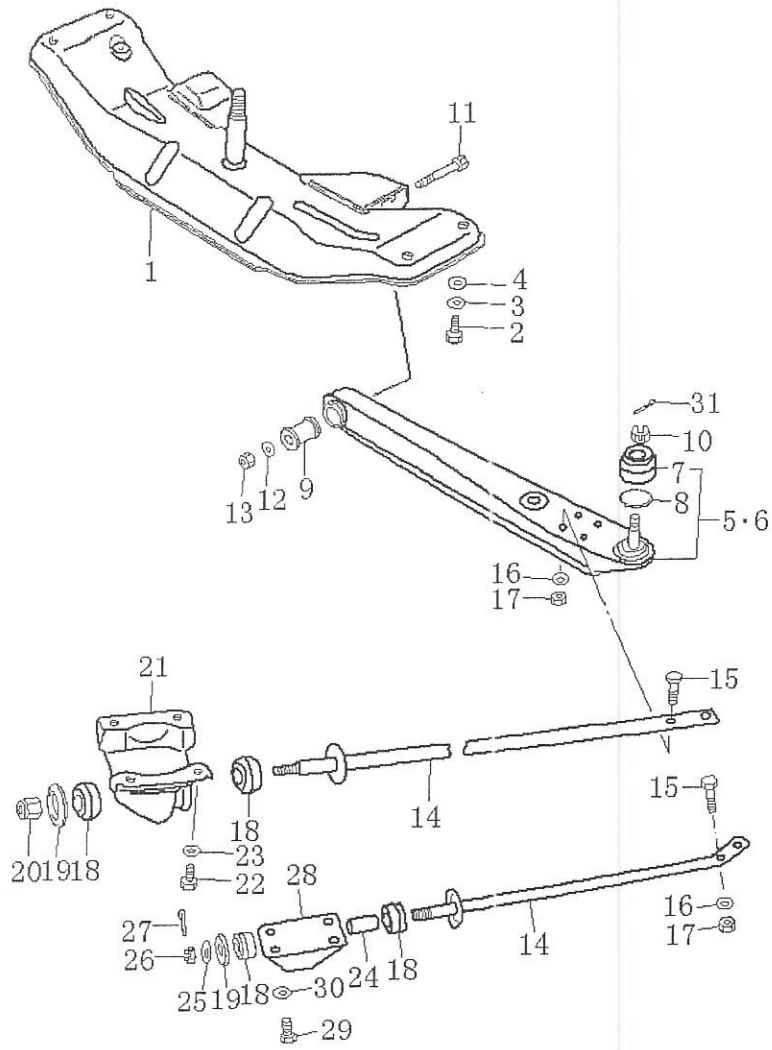
6-1 Front Suspension (前减震器)

6-1 Front Suspension



6-1 Front Suspension (前减震器)

Item No	Part No	Description	零配件名称	Qty/car	Remark
1	1010-2905308A	Front coil spring	前悬架螺旋弹簧	2	
2	1010-2905306A	Front coil spring seat	前悬架弹簧座	2	
3	1010-2905307A	Spring bumper	橡胶缓冲轴套	2	
4	1010-2905305A	Upper spring seat	前悬架弹簧上座	2	
5	2501200-006	Strut assembly, RH	右前减震器带弹簧总成	1	
6	2501100-006	Strut assembly, LH	左前减震器带弹簧总成	1	
7	1010-2905344A	Washer	垫圈	2	
8	GB93-87-14-ZnD	Spring washer	弹簧垫圈	2	
9	GB93-87-M12-ZnD	Hex-head nut	六角自锁螺母	2	
10	1010-2905343A	Front strut support cap	前减震器防尘盖	2	
11	1010-2905420A	Front strut support, RH	右前悬架上安装座组件	1	
12	1010-2905320A	Front strut support, LH	左前悬架上安装座组件	1	
13	GB6170-M8-8-ZnD	Nut	前缓冲器螺母	6	
14	GB93-87 8	Spring washer	弹簧垫圈	6	
15	GB97.1-8-140HV-ZnD	Washer	垫圈	6	
16	1010-2905303A	Strut thrust bearing	摩擦衬套	2	
17	1010-2905304A	Dust stal strut bearing	防尘胶套	2	
18	1010-2905302A	Bearing seat	上支承座下盖	2	
19	1010-2905342A	Front strut rubber support	橡胶缓冲块	2	
20	1010-2905341A	Thrust rebound Stopper	前减震器锁紧套	2	
21	2302200-005	Steering knuckle, RH	右转向节	1	Before Sep.2012
	2302200-026				After sep.2012
22	2302100-005	Steering knuckle, LH	左转向节	1	Before Sep.2012
	2302100-026				After sep.2012
23	GB783-M×-ZnD	Steering knuckle bolt	转向节螺栓	2	
24	GB93-87	Steering knuckle spring washer	转向节弹簧垫圈	2	
25	GB6170-M	Steering knuckle nut	转向节螺母	2	
26	GB6170-M	Steering knuckle nut	转向节固定螺母	2	

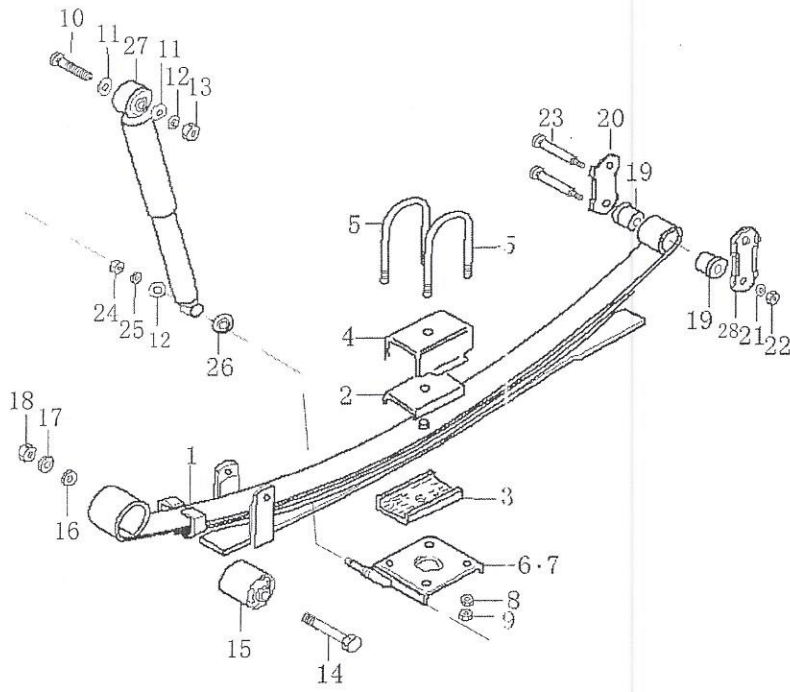


6-2 Front Suspension Frame (前悬架导向机构)

Item No	Part No	Descript on	零配件名称	Qty/car	Remark
1	2503100-014	Front suspension frame	前梁组件	1	

2	GB5876-M10×12.5×30-8.8	Bolt	螺栓	4	
3	GB93-87 10	Spring washer	弹簧垫圈	4	
4	GB97.1-10-140HV-ZnD	Washer	垫圈	4	
5	2503200-014	Front suspensior arm assembly ,RH	前悬臂总成	1	Include:7-12
7	1010-2904150A	Boot assembly	防尘罩组件	2	
8	1010-2904101	Clip	防尘罩卡环	2	
9	1010-2904140	Bush	前悬臂衬套	2	
10	M12-12.5Q/7Am-216	Nut	槽形螺母	2	
11	Q151C1075TF	Bolt	螺栓	2	
12	GB93-87 10	Spring washer	弹簧垫圈	2	
13	M10×12.5A/7Am-217	Nut	螺母	2	
14	6153-2502010	Tension rod assembly	前悬架斜拉杆组件	2	Include:15,18-21
15	GB5786-M10×12.5×25-8.8	Bolt	螺栓	4	
16	GB93-87 10	Spring washer	弹簧垫圈	4	
17	M10×12.5Q/7Am-211-8	Nut	螺母	4	
18	45341-77A00	Tension rod bush	斜拉杆轴衬套	4	
19	1010-2902102	Tension rod washer	斜拉杆前垫圈	2	
20		Tension rod nut	斜拉杆锁紧螺母	2	
21		Tension rod plank	斜拉杆支架组件	2	
22		Tension rod plank Bolt	斜拉杆支架螺栓	8	
23		Tension rod plank spring washer	斜拉杆支架弹簧垫圈	8	
24	1010-2902103	Tension rod bush	斜拉杆轴隔套	2	
25	GB97.1-14-140HV-ZnD	Washer	垫圈	2	
26	GB9459-M14×1.5	Nut	六角槽型螺母	2	
27	GB91-3.2×24-ZnD	Split pin	开口销	2	
28	1010-2902120A	Tension rod plank	斜拉杆支架组件	2	
29	M10×12.5×18Q/7Am-230	Bolt	螺栓	6	
30	GB93-87 10	Spring washer	支架弹簧垫圈	6	
31	GB91-86-3.2×30	Split pin	开口销	2	

6-3 Rear Suspension (后悬架总成)

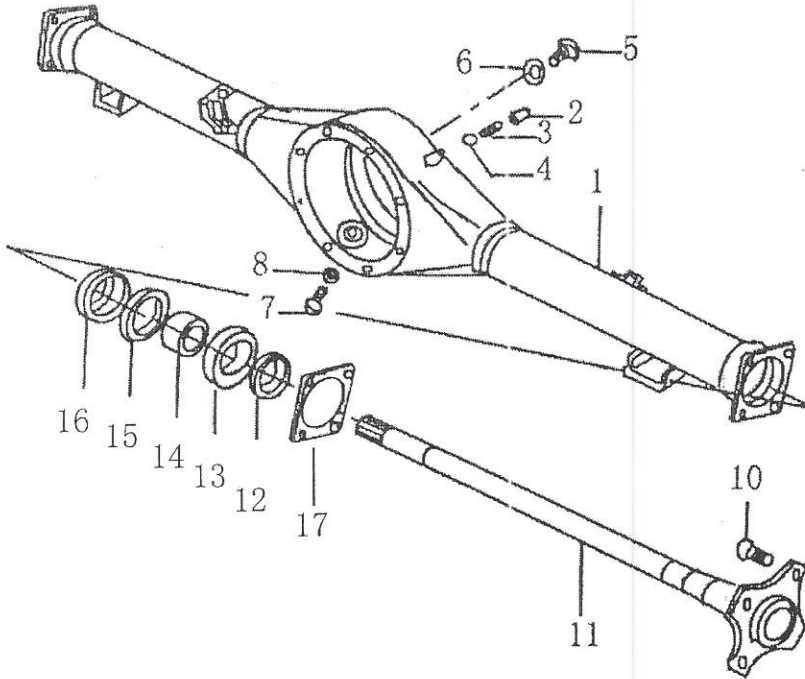


6-3 Rear Suspension (后悬架总成)

Item No	Part No	Description	中文名称	Qty	Remark
1	2508100-008	Rear leaf spring assembly	后板簧总成(5+1)	2	include 11-13
2	2509015-007	Upper pad	板簧上垫	2	
3	2509016-007	Lower pad	板簧下垫	2	
4	2509012-007	Rear leaf spring clamp plate	后板簧上压板	2	
5	6082-2508011	Leaf spring U bolt	板簧 U 型螺栓	4	
6	2509014-007	Spring seat, RH	右后板簧下压板组件	1	
7	2509013-007	Spring seat, LH	左后板簧下压板组件	1	
8	GB6171-M10×12.5-ZnD	Nut	螺母	8	
9	GB6173-M10×12.5-0.5	Nut	螺母	8	
10	Q/JZ0904	Bolt	螺栓	2	
11	Q/JZ0904	Washer	平垫	4	
12	Q/JZ0904	Gasket spring	弹垫	2	
13	Q/JZ0904	Nut	螺母	2	
14	1010-2912003	Bolt	后板簧前吊耳螺栓	2	
15	1010-2912004	Rear leaf spring rubber bush assembly	后板簧[钢衬套]	2	
16	Q/JZ0904	Washer	平垫	2	
17	GB859-87 12	Washer ring	垫圈	2	
18	GB6171-M12×1.25-ZnD	Nut	螺母	2	
19	2509023-007	Bush	后板簧后橡胶衬套	8	
20	2509022-007	Shackle outer plate	吊耳外侧板	2	
21	GB859-87 10	Spring washer	弹簧垫圈	4	
22	GB6171-M10×1.25-ZnD	Nut	螺母	4	
23	1010-2912502A	Shackle pin	吊耳销	4	
24		Nut	后减震器螺母	2	
25		Spring washer	弹簧垫圈	2	
26		Bush	后减震器橡胶衬套	2	
27	2504100-002	Rear shock absorber assembly	后减震器总成	2	
28	2509021-007	Shackle inner plate	吊耳内侧板	2	

Comment [h1]: 11月8日和黄志阔确认-韩政

7-1 Half Shaft, Rear Axle House



7-1 Half Shaft, Rear Axle House (半轴、桥壳)

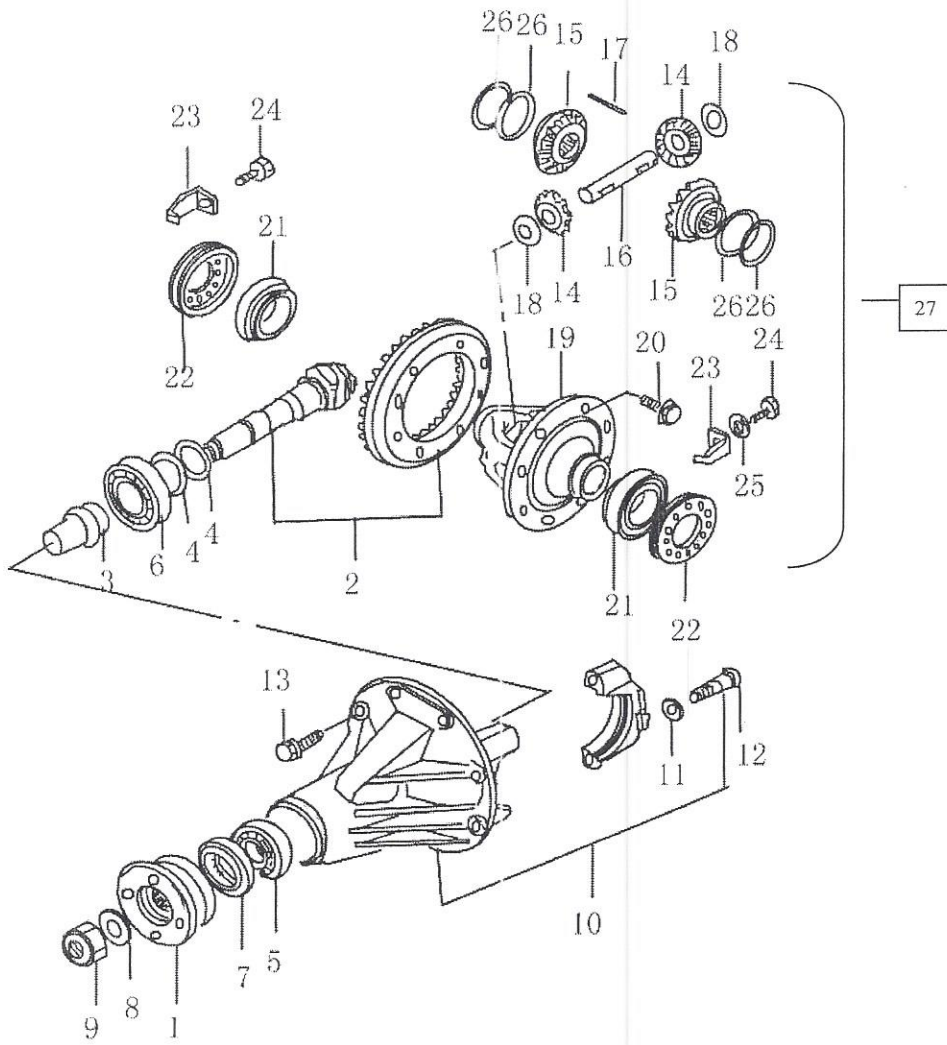
Item No	Part No	Description	零配件名称	Qty/car	Remark
1	3301-2401130A	rear axle body	后桥壳	1	
2	3301-2400106A	breather valve Cap	通气阀盖	1	
3	3301-2400104A	Spring, rear axle breather valve	后桥壳通气阀弹簧	1	
4	3301-2400103A	breather valve	通气阀	1	
5	3301-2400111A	Filler bolt	注油螺栓	1	
6	3301-2400109A	filler bolt Gasket	注油螺栓垫	1	
7	3301-2400108A	Drain bolt	放油螺栓	1	
8	JB982-77	crain bolt Gasket	放油螺栓垫	1	
10	3301-2403104A	axle hub Bolt	轮毂螺栓	8	
11	2402100-006	6206 Bearing	半轴	2	Before Jan.2015
	2402100-006	half shaft = 6207 Bearing			After Jan.2015
12	901007-605R-000	Hub bearing	轮毂轴承定位套	2	Smaller
13	6206	Axle shaft bearing	半轴轴承	7	Before Jan.2015
	6207				After Jan.2015
14	901007-06206-000	Hub bearing	BUSHING 轮毂轴承定位套	2	Big size
15	42x55x7	Oil seal for axle shaft	半轴油封	2	
16	3301-2401102A	Protector, oil seal	油封保护套	2	
17	3502-2403131A	Retainer strut	压盖	2	
18	2400000-006	Rear axle assembly (include 1-17)	后桥总成 (包括后制动器, 制动鼓, 制动拉线)	1	Before Jan.2015
					After Jan.2015

Manual

#15 42x55x7 used w/ 6206 Bearing
 48x62x9 used w/ 6207 Bearing

Auto
 2402100-028 - LH
 2402200-028 - RH

7-2 Differential Assembly (差速器总成)

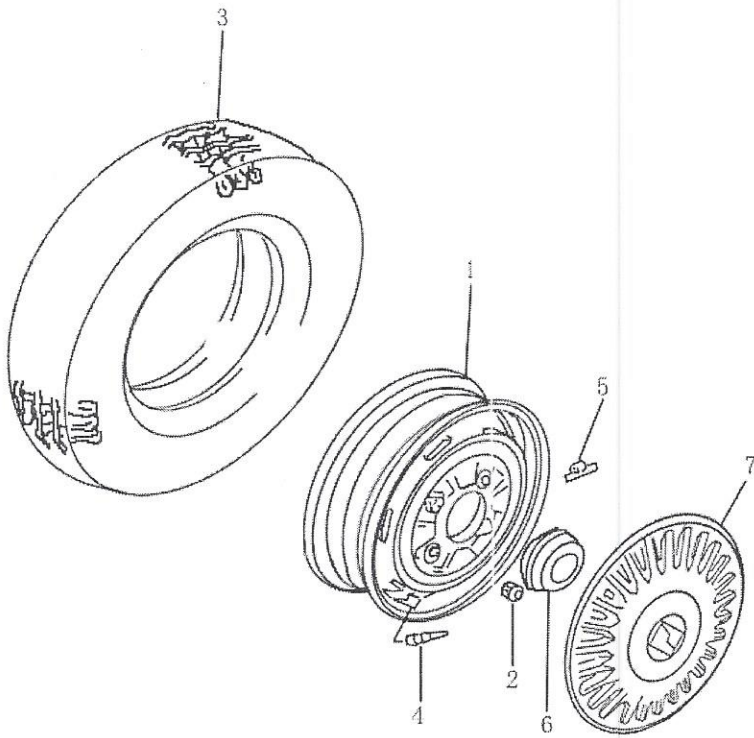


7-2 Differential Assembly (差速器总成)

Item No	Part No	Description	中文名称	Qty	Remark
1	3302-2402150A	flange	法兰盘	1	
2		Drive gear	主被动齿轮	1	
3	3302-2402104A	Spacer, drive bevel	主动齿轮衬套	1	
4	3302-2402105A	Locating shim, drive bevel	差速器主动齿轮调整垫片	Depends	
5	7204GB297-77	Front bearing, drive pinion	差速器主动齿轮前轴承	1	
6	7305GB307	Rear bearing, drive pinion	差速器主动齿轮后轴承	1	
7	3302-2402120A	Seal oil, drive pinion	差速器主动齿轮油封	1	
8	3302-2402103A	Washer, drive pinion	主动齿轮垫圈	1	
9	3302-2402110A	Nut, drive pinion	主动齿轮螺母	1	
10	3302-2402102A	Differential carrier	主减速器差速器壳总成	1	
11	GB859-878	Washer, spring	弹簧垫圈	4	
12	GB6170-M8-8	Bolt, differential bearing cap	差速器轴承盖螺栓	4	
13	GB5783-M8×25	Differential carrier bolt	差速器壳螺栓	8	
14	3302-2402138A	Differential pinion	差速器伞齿轮	2	
15	3302-2402139A	Side gear	半轴伞齿轮	2	
16	3302-2402132A	Differential shaft	差速器齿轮轴	1	
17	GB879-5*45	Differential pinion shaft location pin	伞齿轮轴定位销	1	
18	3302-2402137A	Thrust washer	游星伞齿轮止推垫圈	2	
19	3302-2402131A	Differential carrier	差速器壳	1	
20	3302-2402143A	Bolt, driven gear	从动齿轮螺栓	8	
21	2007108GB207-77	Differential bearing	差速器轴承	2	
22	3302-2402109A	Adjusting nut, differential bearing	差速器轴承调整螺母	2	
23	3302-2402112A	Differential bearing lock	差速器轴承锁片	2	
24	GB5783-M8*16	Lock bolt, differential bearing	差速器轴承锁片螺栓	2	
25	GB93-878	Washer, spring	弹簧垫圈	2	
26	3302-2402133A	Thrust washer, differential pinion	半轴伞齿轮止推垫圈	Depends	
27	EG100A-2407000	Differential assembly (14-16)	差速器总成	1	

8-1 Wheel&Tyre (车轮)

Steel Wheel&Tyre (钢圈及轮胎)

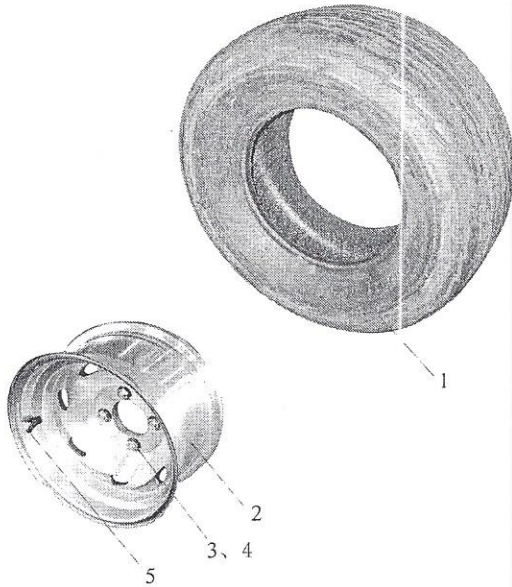


Steel Wheel&Tyre (钢圈车轮)

Item No	Part No	Description	零配件名称	Qty/car	Remark
1	2601100-008	Rim assembly	轮辋组件 4J*12	4	Steel
2	2600012-013	Wheel nut	轮胎螺母	16	
3	2602100-006	Tyre 145R12C	轮胎 145R12C	4	2010年9月 停用
	2602100-007	Tyre 155R12C	轮胎 155R12C	4	
4	2601210-004	Tyre valve	气门嘴	4	

5	(10g~60g)	Balance patch	车轮平衡块	Depends	
6	1010-2901003A	Center cap,wheel	轴防尘盖	2	
7	6082-2601013	Hubcap	轮毂护罩	4	

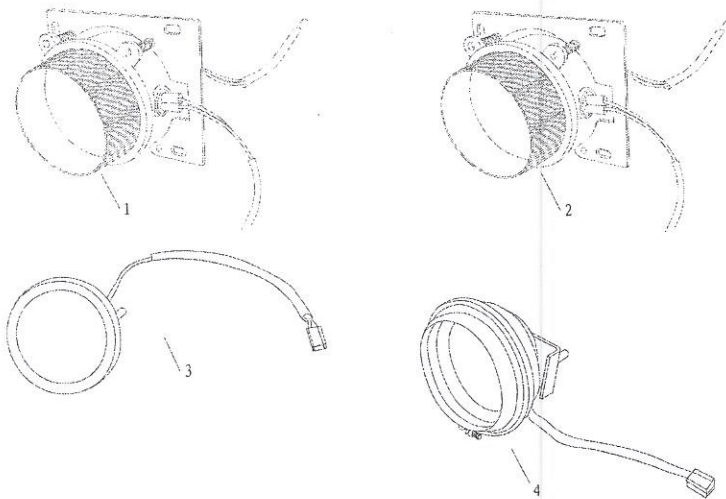
Aluminum Wheel & Tyre (铝圈车轮)



Aluminum Wheel & Tyre (铝圈车轮)

Item No	Part No	Description	零配件名称	Qty/car	Remark
1	2602100-006	Tyre 145R12C	轮胎	4	
2	2601100-009	Rim assembly	铝圈 4J×12	4	Aluminum
3	2600012-013	Wheel nut	轮胎螺母	16	
4		Wheel bolt	轮胎螺栓	16	
5	2601210-004	Tyre valve	气门嘴	4	
6	6082-2601006	Wheel cap	小轮罩	4	

9-1 Front Turn Signal, Headlight, Front Fog light (前转向灯、大灯、雾灯)



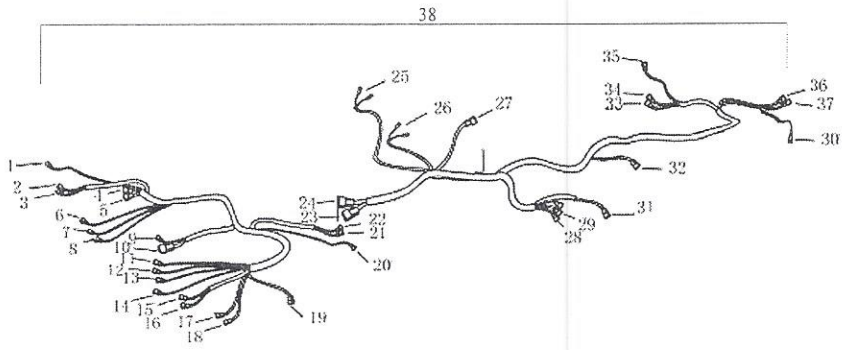
9-1 Front Turn Signal, Headlight, Front Fog light
(前转向灯、大灯、雾灯)

Item No	Part No	Description	中文名称	Qty	Remark
1	3101100-002	Headlight LH	前大灯(左)	1	
2	3101200-002	Headlight RH	前大灯(右)	1	
3	3109100-002	Front turn signal	前转向灯	2	
4	3113100-001	Front fog light	前雾灯	2	
5	3101130-002	Headlight bulb	前大灯灯泡	2	
6		Front turn signal bulb	前转向灯灯泡	2	
7		Front fog light bulb	前雾灯灯泡	2	

9-2 Taillight (后组合灯)

Item No	Part No	Description	中文名称	Qty	Remark
1	3012130-001	Taillight holder LH	后尾灯座 (左)	1	3106000-001 w/ Lights
2	3109300-002	Rear turning signal	后转向灯	2	
3	3106100-004	Rear brake&position light	后制动组合灯 (制动灯+示廓灯)	2	
4	3111100-001	Reverse light	倒车灯	1	
5	3113330-001	Rear turning signal bulb	后转向灯灯泡	2	
6		Rear brake&position light bulb	后制动组合灯灯泡	2	
7		Reverse light bulb	倒车灯灯泡	1	
8	3012240-001	Taillight holder RH	后尾灯座 (右)	1	3106001-001 w/ Lights
9	3113300-001	Rear fog light	后雾灯	1	
10		Rear fog light bulb	后雾灯灯泡	1	
11	3107100-002	License light	牌照灯	2	

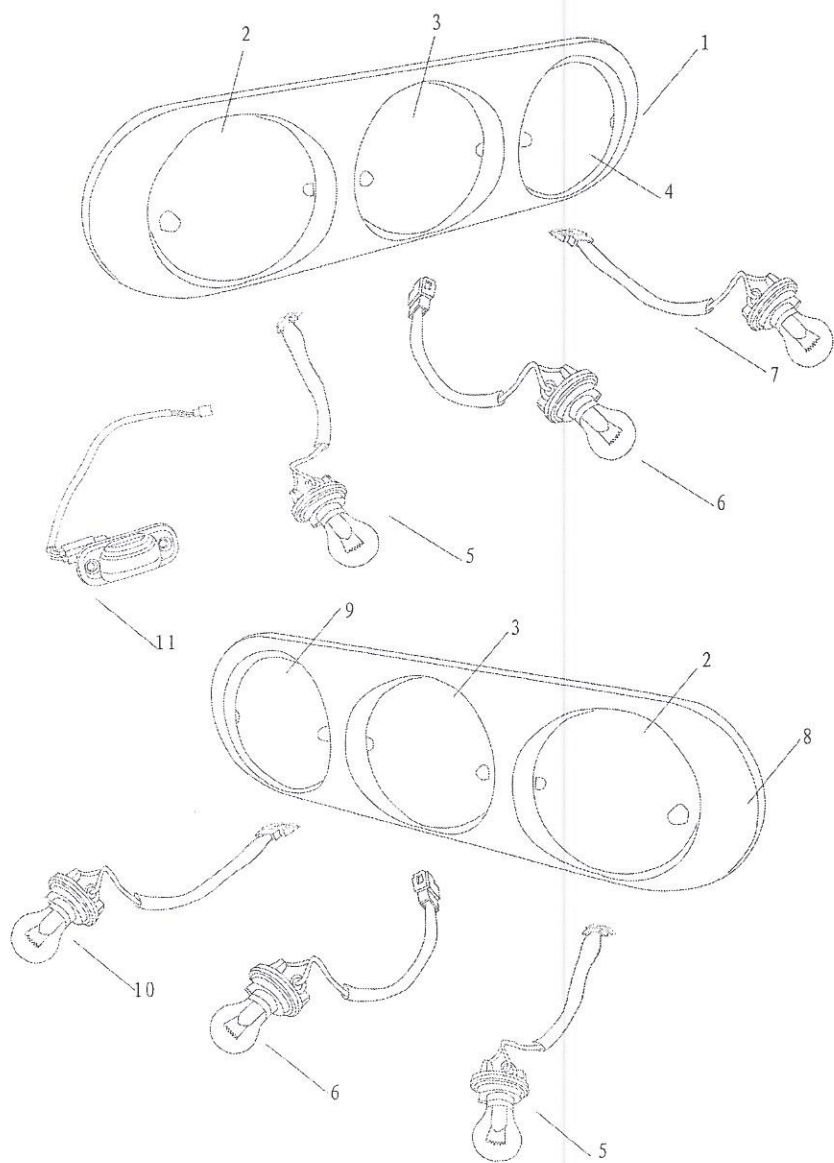
9-3 Harness (电线束)



9-3 Harness (电线束)

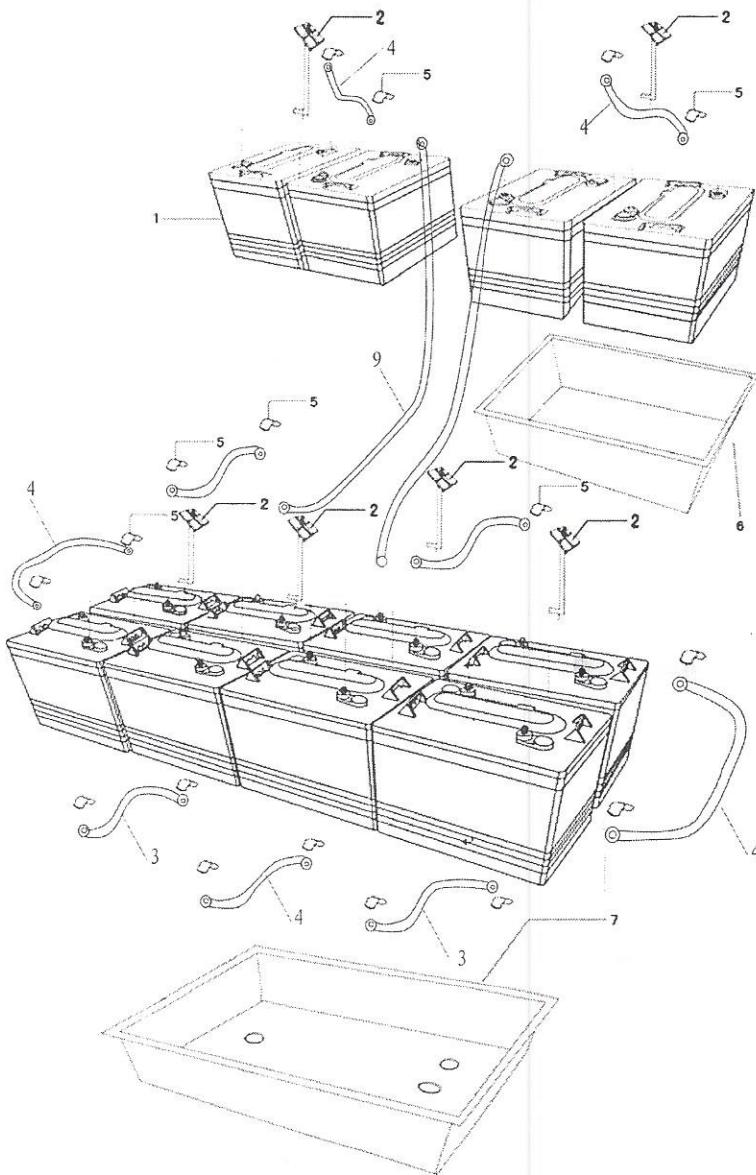
Item No	Part No	Description	中文名称	Qty	Remark
1		To front fog light, RH	接右前雾灯	1	
2		To front headlight, RH	接右前大灯	1	
3		To front turn signal lamp, RH	接右前转向灯	1	
4	3308000-031	To frame harness (1)	接车架线束 (1)	1	
5		To frame harness (2)	接车架线束 (2)	1	
6		To radio	接收放机	1	
7		To loud speaker, RH	接右扬声器	1	
8		To wiper	接雨刮器	1	
9		To flashing ware	接闪光器	1	
10		To fuse box	接保险丝盒	1	
11		To switch assembled (1)	接组合开关 (1)	1	
12		To switch assembled (2)	接组合开关 (2)	1	
13		To turn switch	雾灯开关	1	
14		To current voltage watch	接电流电压表	1	
15		To instrument indicator light	接仪表指示灯	1	
16		To warning light switch (1)	接警告灯开关 (1)	1	
17		To warning light switch (2)	接警告灯开关 (2)	1	
18		To loud speaker, LH	接左扬声器	1	
19		To ignition ware	接点火锁	1	
20		To front head lamp, LH	接左前大灯	1	
21		To front turn signal lamp, LH	接左前转向灯	1	
22		To front fog light, LH	接左前雾灯	1	
23		To cab harness (1)	接驾驶室线束 (1)	1	
24		To cab harness (2)	接驾驶室线束 (2)	1	
25		To brake light switch	接制动灯开关	1	
26		To electric horn	接电喇叭	1	
27		To accelerator	接加速器	1	
28		To shunt	接分流器	1	
29		To electric control	接电控	1	
30		To reverse light	接倒车灯	1	
31		To reverse switch	接倒档开关	1	
32		To backup buzzer	接倒车蜂鸣器	1	
33		To rear turn signal lamp, RH	接后右后转向灯	1	
34		To rear assembled lamp, RH	接后右后组合灯	1	
35		To rear fog lamp	接后雾灯	1	
36		To rear assembled lamp, LH	接后左组合灯	1	
37		To rear turn signal lamp, LH	接后左转向灯	1	

9-2 Taillight (后组合灯)



9-4 Battery and Battery Cable (12x6V 电池及连接线)

12x6V Battery set-up(12x6V 电池配置)

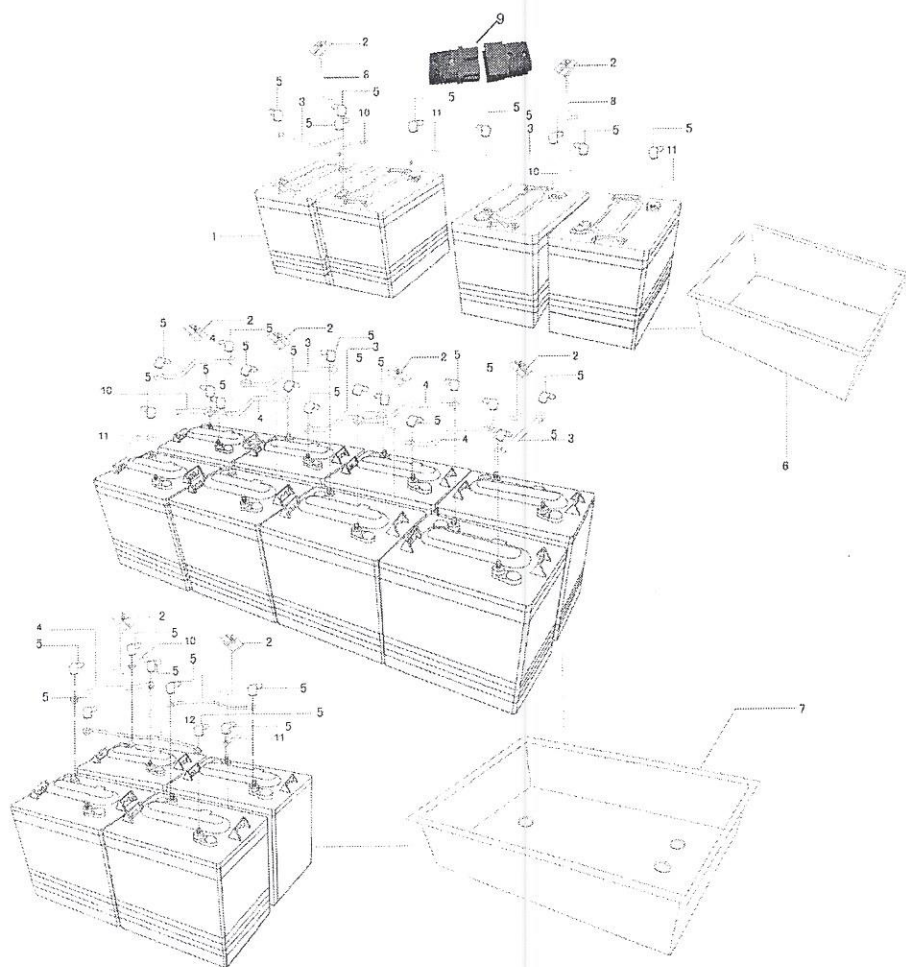


9-4 Battery and Battery Cable (电池及连接线)

12x6V Battery set-up (12x6V 电池配置)

Item No	Part No	Description	中文名称	Qty	Remark
1	1101100-002	Battery	蓄电池	12	225AH
2	1101012-001	Battery pressure block	蓄电池压块	6	
3	3313010-007	Battery cable 180mm/35 ²	连接线	4	180mm/35 ²
4	3313010-010	Battery cable 260mm/35 ²	连接线	5	260mm/35 ²
5	1101014-002	Battery cable jacket	电池护套	24	
6	6158-1001910	2P battery box	2P 电池盒	2	
7	6158-1001920	4P battery box	4P 电池盒	2	
8	1101011-002	Dead lever	蓄电池固定拉杆	6	
9		Battery cable 2400mm/35 ²	连接线	2	2400mm/35 ²
10	3049120-001	Charger receptacle	充电插座	1	

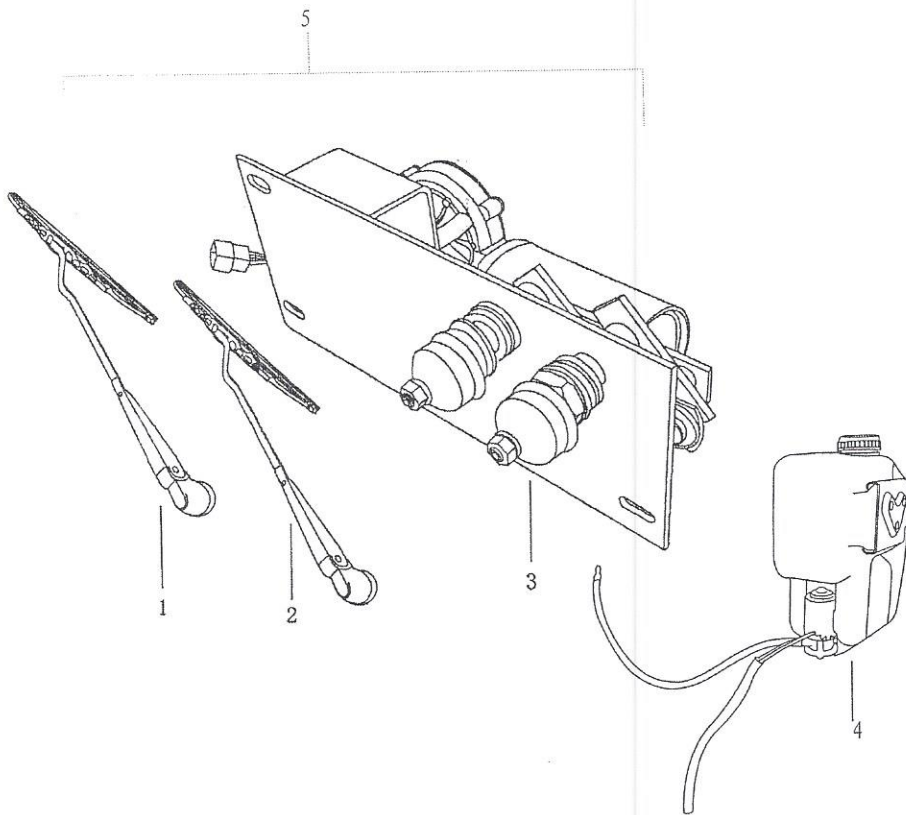
16x6V battery set-up (16x6V 电池配置)



16x6V battery set-up (16x6V 电池配置)

Item No	Part No	Description	中文名称	Qty	Remark
1	1101100-002	Battery T105	蓄电池	16	
2	1101012-001	Battery pressure block	蓄电池压块	8	
3	3313010-007	Battery cable 180mm/35 ²	连接线 180mm	6	180mm/35 ²
4	3313010-010	Battery cable 260mm/35 ²	连接线 260mm	5	260mm/35 ²
5	1101014-002	Battery jacket	电池护套	32	
6	6082-5102041-001	2P battery box	2P 电池盒	2	
7	6082-5102072-001	4P battery box	4P 电池盒	3	
8	1101011-002	Battery fixation pole	蓄电池固定拉杆	8	
9	3313020-058	Receptacle	充电插座(含线)	2	
10	3313020-005	Power cable(+)	电源线(+)	1	
11	3313020-006	Power cable(-)	电源线(-)	1	
12	3313010-011	Battery cable 300mm/35 ²	连接线 300mm	1	

9-5 Windshield Wiper Assembly (雨刮总成)

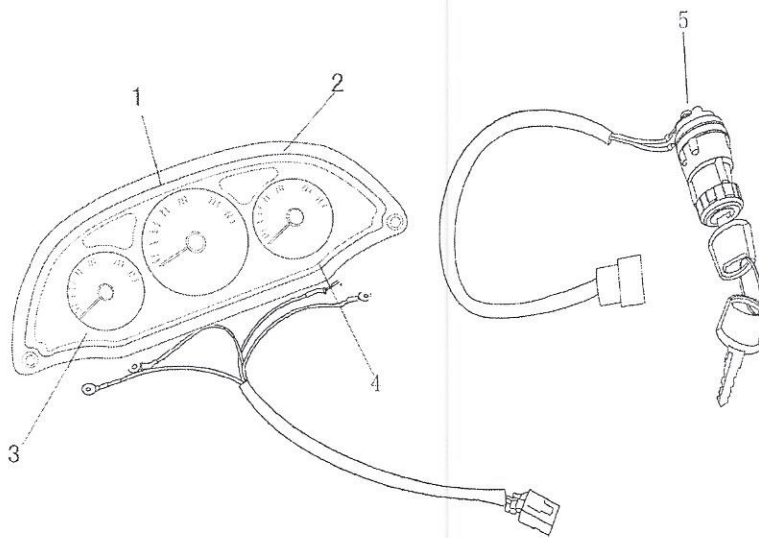


9-5 Windshield Wiper Assembly (雨刮总成)

Item No	Part No	Description	中文名称	Qty	Remark
1	38340-65C10	Left wiper arm & brush assembly	左刮臂及刮刷组件	1	
2	38340-60C10	Right wiper arm & brush assembly	右刮臂及刮刷组件	1	
3	3006110-010	Windshield wiper motor assembly	雨刮电机总成	1	12V/50W

4	3011110-003	Water tank	雨刮喷水壶	1	Option
5	3006100-010	Wiper assembly	雨刮总成	1	12V/50W

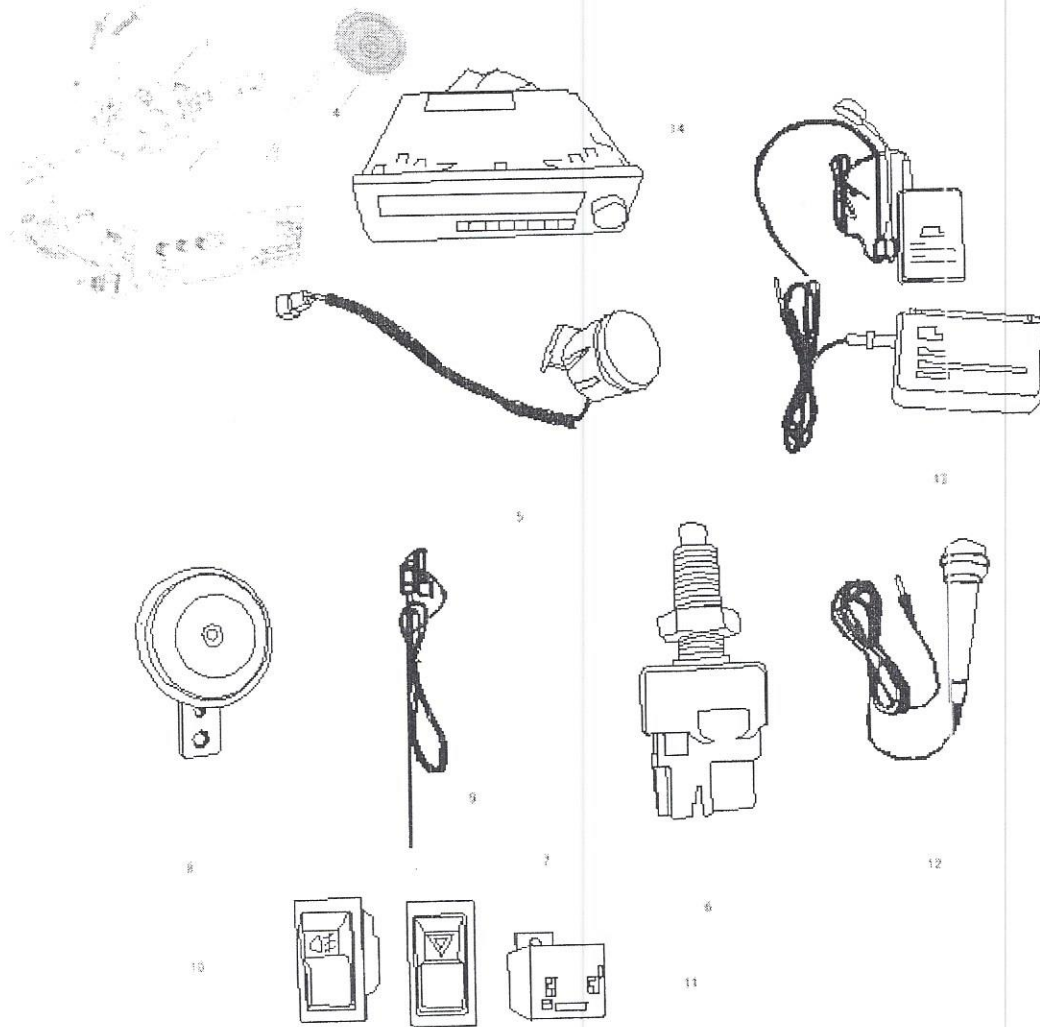
9-6 Meter, Start key (组合仪表、启动开关)



9-6 Meter, Start key (组合仪表、启动开关)

Item No	Part No	Description	中文名称	Qty	Remark
1	3212120-002	Speed meter	速度里程表	1	0-100Km/h
2	3212110-002	Meter shell	仪表壳体	1	
3	3212140-002	Current meter	电流表	1	0-300A
4	3212130-003	Voltage meter	电压表	1	30-96V
5	3001010-002	Start key	点火开关	1	

9-7 Radio, Combination Switch, Loud speaker, Backup Buzzer (收音机、组合开关、喇叭、倒车蜂鸣器)



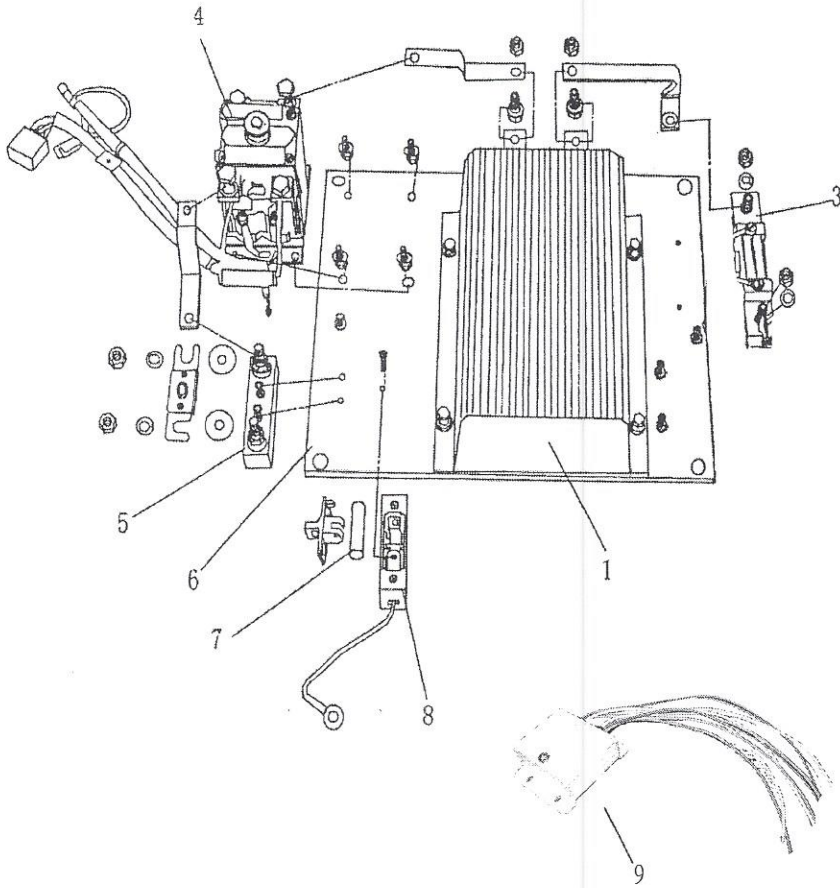
9-7 Radio, Combination Switch, Loud speaker, Backup Buzzer

(收音机、组合开关、喇叭、倒车蜂鸣器)

Item No	Part No	Description	中文名称	Qty	Remark
1	3024100-004	Combination switch	组合开关	1	
2	8501100-002	Radio	收放机	1	12V
3	8501110-002	Dustproof cover for radio	收放机防尘罩	1	
4	8510010-002	Loud speaker	扬声器	2	
5	3211010-001	Backup buzzer	倒车蜂鸣器	1	12V
6	3127010-001	Stop lamp switch	制动灯开关	1	
7	3032010-002	Alarm switch	危险报警开关	1	
8	3004010-001	Horn	电喇叭	1	12V
9	8503010-001	antenna	天线	1	1.7m
10	3032010-013	Fog lamp switch	雾灯开关	1	
11	3129010-002	Electronic flash	电子闪光器	1	12V
12	3037100-001	Wired microphone	有线话筒	1	Option
13	3037100-002	Wireless microphone	无线话筒	1	Option
14	8501200-002	CD Player	CD机	1	Option

9-8 Electronic Controller Assembly (电控总成)

1209 Controller (1209 电控)

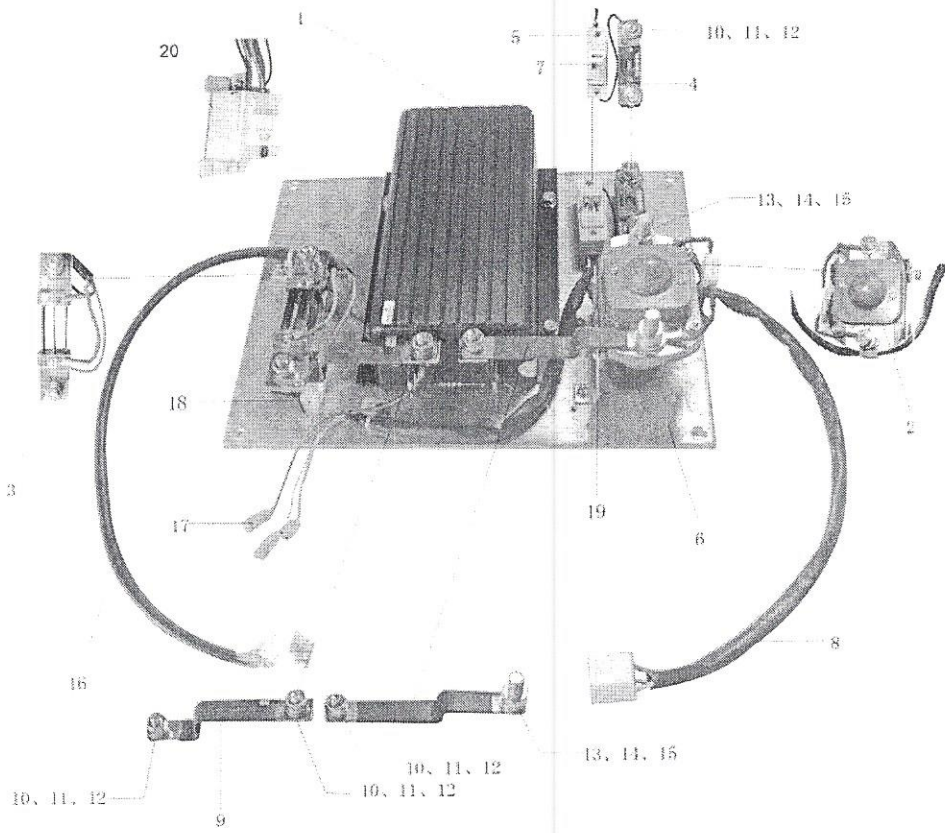


9-8 Electronic Controller Assembly (电控总成)

1209 Controller (1209 电控)

Item No	Part No	Description	中文名称	Qty	Remark
1	1005100-003	Electronic controller	电控器	1	1209
3	1005310-002	Shunt	分流器	1	300A / 75mV
4	1005200-008	Main contactor	72V 主接触器	1	72V/300A
5	F26-ANL-425A	Main fuse	主熔断器	1	425A
6	1005021-003	Electronic aluminum plate	电控铝板	1	1209/72V
7	1005410-001	Controller fuse	控制熔断器 10A	1	10×38/10A
8	1005420-001	Attach fuse socket	附件熔断器 座	1	10×38
9	1102100-003	Battery protector	电池保护器	1	

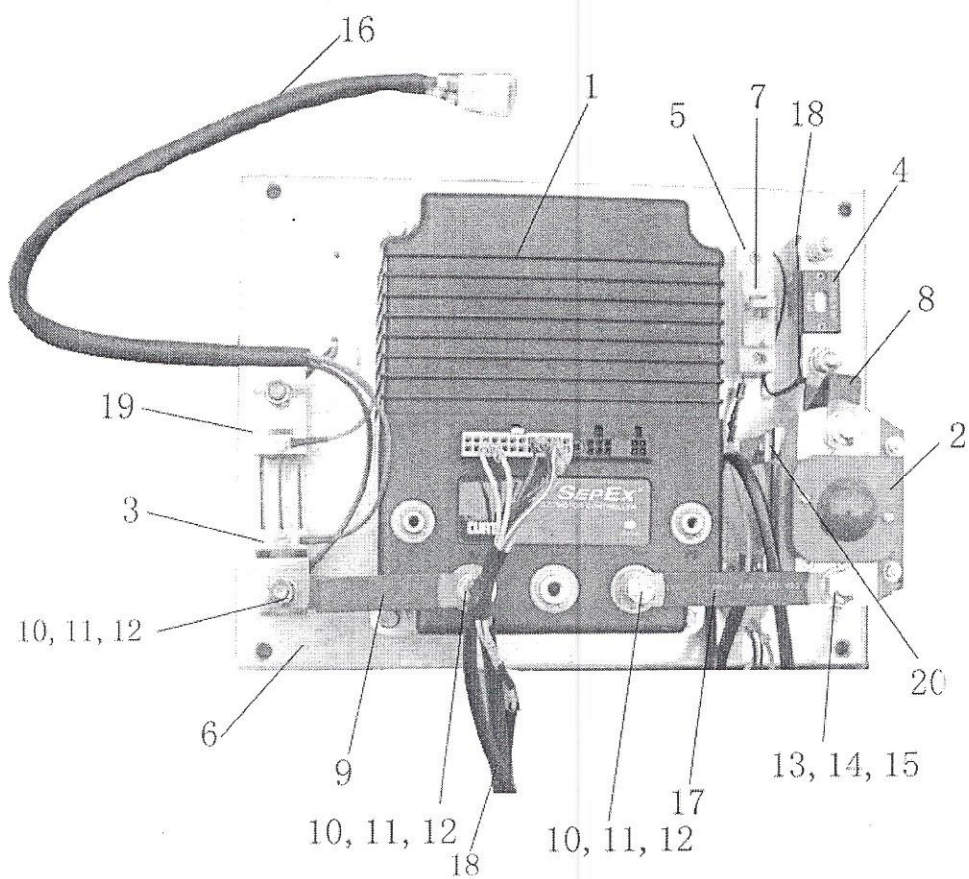
1205 Controller (1205 电控)



1205 Controller (1205 电控)

Item No	Part No	Description	中文名称	Qty	Remark
1	1005100-002	Electronic controller 1205	控制器 1205	1	1205
2	1005200-009	Main contactor	主接触器	1	
3	1005310-002	Shunt	分流器	1	
4	F26-ANL-350A	Main fuse	主熔断器	1	
5	1005420-001	Fuse holder	熔断器座	1	
6	1005021-002	Electronic aluminum plate	电控铝板	1	
7	1005410-001	Fuse 10A	控制线路保险	1	10A
8		To controller harness	控制线连接头	2	
9		Copper strip	连接铜带	2	
10	Q340B08	British system nut	1 型六角螺母 M8	6	
11	Q40308	Spring washer M8	弹垫	6	
12	Q40108	Washer	平垫	6	
13	Q340B10	Hex nut M10	六角螺母 M10	3	
14	Q40310	Spring washer	弹垫	3	
15	Q40110	Washer	平垫	3	
16		Shunt connecting wire	分流器连接线	1	
17		Controller connecting wire	电控连接线	1	
18	1005320-001	Shunt bracket	分流器支架	1	
19		Main contactor bracket	主接触器支垫	1	
20	TC611A-48V	Battery protector 48V	电池保护器	1	

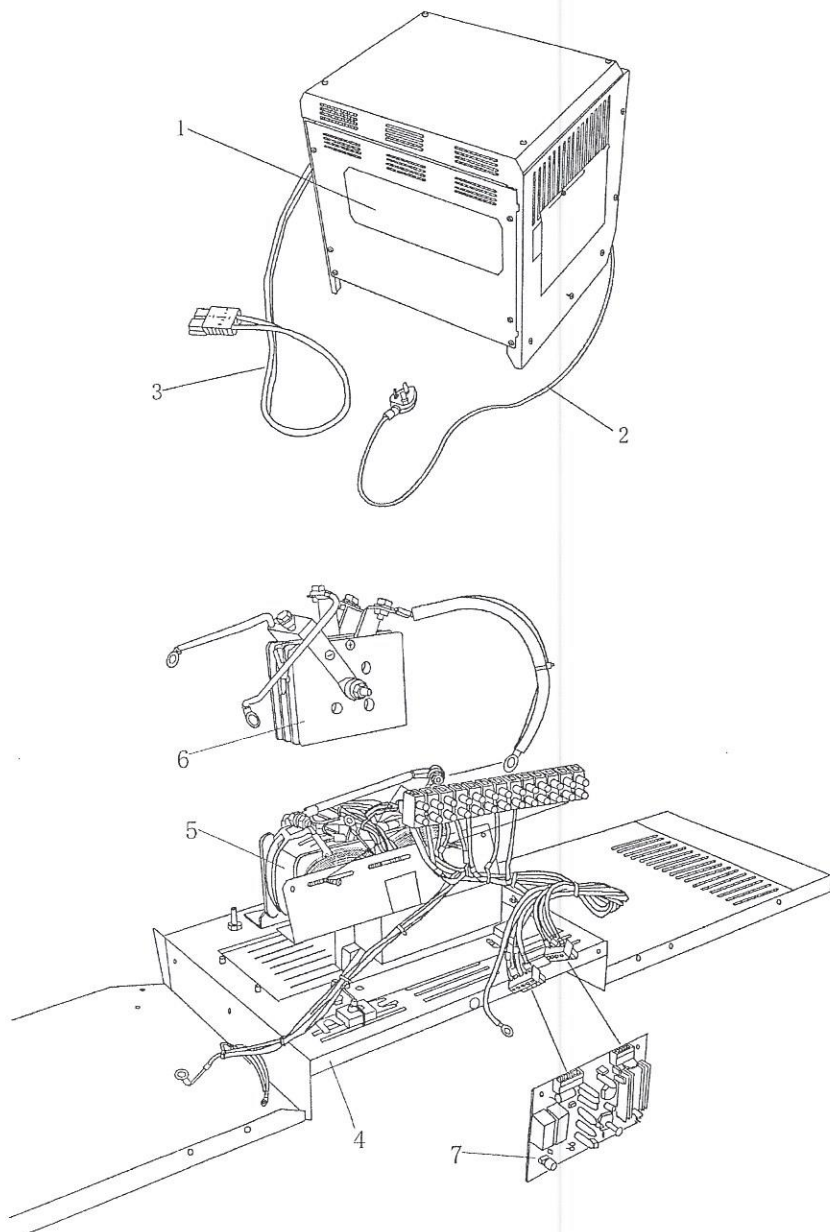
1244 Controller (1244 电控)



1244 Controller (1244 电控)

Item No	Part No	Description	中文名称	Qty	Remark
1	1005100-006	Electronic controller 1244	控制器 1244	1	
2	1005200-009	Main contactor	主接触器	1	
3	1005310-002	Shunt	分流器	1	
4	F26-ANL-425A	Main fuse	主熔断器	1	
5	1005420-001	Fuse holder	熔断器座	1	
6	1005021-006	Electronic aluminum plate	电控铝板	1	
7	1005410-001	Fuse 10A	控制线路保险	1	10A
8		Copper strip	连接铜带	1	
9		Copper strip	连接铜带	1	
10	Q340B08	British system nut	1 型六角螺母 M8	6	
11	Q40308	Spring washer M8	弹垫	6	
12	Q40108	Washer	平垫	6	
13	Q340B10	Hex nut M10	六角螺母 M10	3	
14	Q40310	Spring washer M8	弹垫	3	
15	Q40110	Washer	平垫	3	
16		Shunt connecting wire	分流器连接线	1	
17		Copper strip	连接铜带	1	
18	6082-3018310	Controller connecting wire	电控连接线	1	

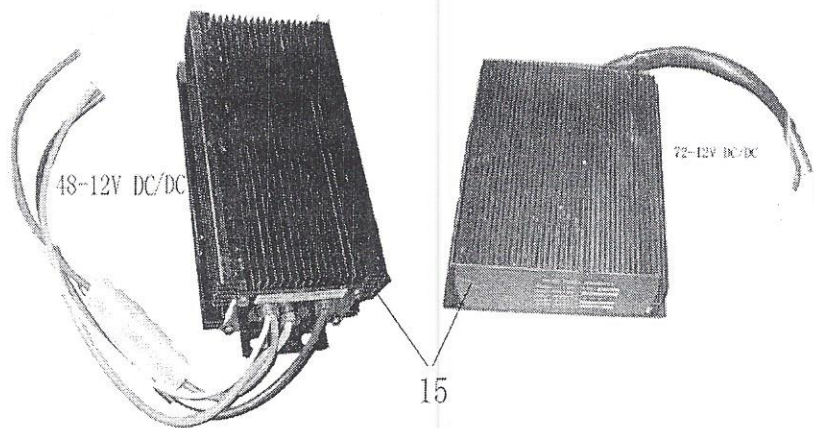
9-9 Charger (充电机)



9-9 Charger (充电机)

Item No	Part No	Description	中文名称	Qty	Remark
1	2107-1-1	Name Plate	铭牌	1	
2	2107-1-2	Mains cable	电源电缆	1	230V
3	2107-1-3	Load cable with Plug	充电电缆	1	
4	2107-1-1	Case	箱体	1	
5	E48/25	Transformer 120V	120V 变压器	1	
	E72/25	Transformer 120V	120V 变压器	1	
	E48/25	Transformer 230V	230V 变压器	1	
	E72/25	Transformer 230V	230V 变压器	1	
6	DL-007458	Rectifier	整流器	1	
7	1103150-003	Electronic	电路板	1	
8	ST48V/25A-230V-A	48V Charger (220V)	48V 充电器 (220V)	1	
	1103100-005	48V Charger (110V)	48V 充电器 (110V)	1	
	1103100-043	72V Charger (220V)	72V 充电器 (220V)	1	
	1103100-020	72V Charger (110V)	72V 充电器 (110V)	1	

9-10 DC converter (DC 转换器)



9-10 DC converter (DC 转换器)

Item No	Part No	Description	中文名称	Qty	Remark
1	TCDC-7212H	72/12V DC converter	72/12V DC 转换器	1	
	3048100-005	48/12V DC converter	48/12V DC 转换器	1	